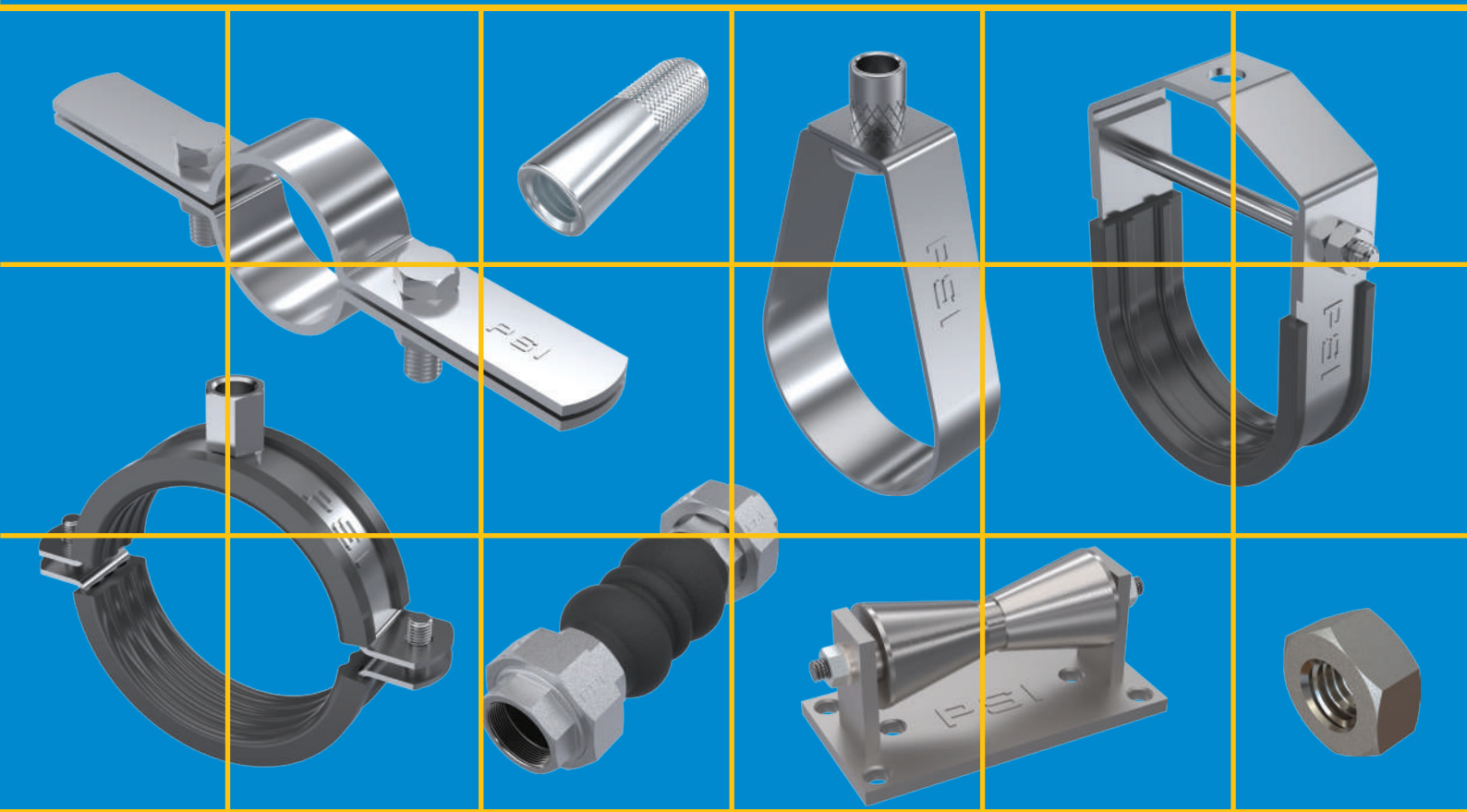


Power Solution Industries

DESIGN, ENGINEERING & MANUFACTURING COMPANY



PRODUCT CATALOGUE



ISO
9001
14001
45001

CERTIFIED

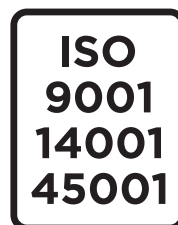
PIPE SUPPORT & HANGER SYSTEMS



Engineered to Excellence



The Holding Company



CERTIFIED

**UNDERWRITERS LABORATORIES COMPLIANT
PRODUCTS**

Power Solution Industries quality plan conforms comprehensively to ISO 9001:2015, ISO 45001: 2018, ISO14001: 2015. The quality assessment and reviews are carried out by DET NORSE VERITAS. The organization defines its quality objectives at the various levels of the company in order to achieve continual improvement in quality management system.

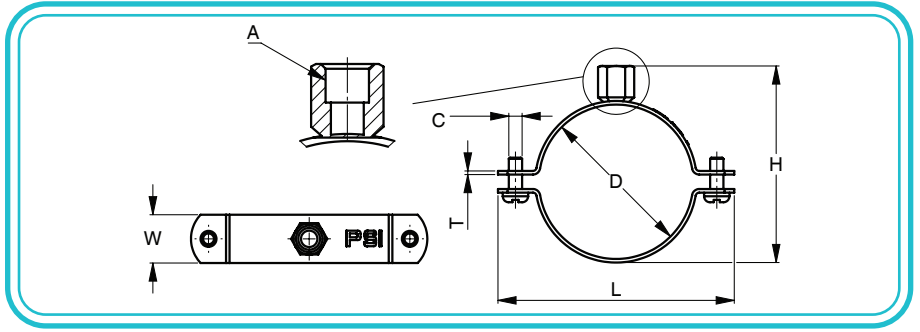
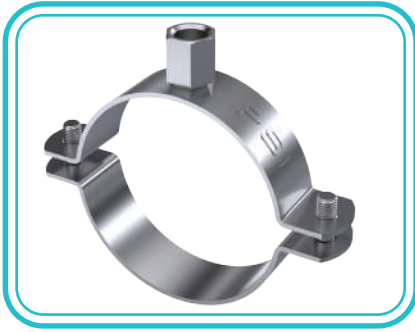
CONTENTS

SPLIT CLAMP	6
SPLIT CLAMP WITH EPDM	7
CLEVIS HANGER	8
CLEVIS HANGER WITH EPDM	9
SPRINKLER HANGER	10
SPRINKLER HANGER WITH EPDM	11
RISER HANGER	12
RISER HANGER WITH EPDM	13
RISER HANGER-FOUR BOLT	14
TWO BOLT CLAMP	15
TWO BOLT CLAMP WITH EPDM	16
U STRAP	17
U STRAP WITH EPDM	19
U STRAP FOR RSI19 MM INSULATION THICKNESS	20
RUBBER SUPPORT INSERTS FOR GI PIPES	21
U BOLT	22
U BOLT WITH EPDM	23
HEAVY SADDLE	24
LIGHT SADDLE	25
HALF SADDLE	26
OFFSET CLAMP	27
PIPE PROTECTION SHIELD	28
PIPE INSULATION SADDLE	29
ADJUSTABLE ROLLER HANGER	30
PIPE ROLLER	31
ROLLER STAND	32
SLIDING PIPE SUPPORT	33
BEAM CLAMP	34
SPRING HANGER	35
OPEN SPRING MOUNTINGS	36

CONTENTS

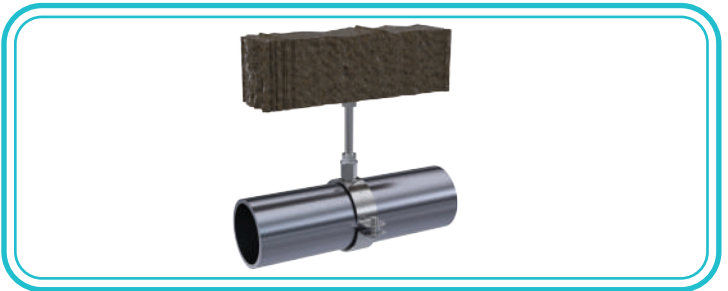
CASED SPRING MOUNT	38
RUBBER HANGER	40
DUCT MOUNT	40
RIBBED MOUNTING PAD	41
WAFFLE PAD	41
SQUARE CELL PAD	42
CORK SANDWICH PAD	42
METAL SANDWICH PAD	43
RIBBED MULTI LAYER PAD	43
SQUARE CELL MULTI LAYER PAD	44
SINGLE ARCH FLOATING FLANGE EXPANSION JOINT	45
DOUBLE ARCH FLOATING FLANGE EXPANSION JOINT	46
FLEXIBLE PIPE CONNECTOR - TRIANGULAR TYPE	47
FLEXIBLE PIPE CONNECTOR- UNION TYPE	48
DIELECTRIC UNION- MPT X WELD BRASS	49
DIELECTRIC UNION- FPT X WELD BRASS	50
DIELECTRIC UNION- FPT X MPT	51
DIELECTRIC UNION- FPT X FPT	52
THREADED ROD	53
HEX BOLT (DIN 933)	54
HEX NUT (DIN 934)	55
WASHER (DIN 125/ A)	56
DROP IN ANCHOR	57
WEDGE ANCHOR	58
DRAW IN ANCHOR	59
HEX COUPLING NUT	59
SLIDE NUT/ CHANNEL NUT/ SPRING NUT	60
STRUT CHANNELS	61
STRUT CLAMP	64
CANTILEVER	66
C WASHER	67

SPLIT CLAMP



FEATURES AND BENEFITS

Description	<ul style="list-style-type: none"> • Lock bolts with combi cross recessed head. • For horizontal and vertical applications. • Profiled for extra strength
Material	<ul style="list-style-type: none"> • Mild Steel, Stainless Steel, Aluminium, other materials on request.
Specification	<ul style="list-style-type: none"> • Electro galvanized as per ASTM B 633. • Galvanized ASTM A123 /A 123M.

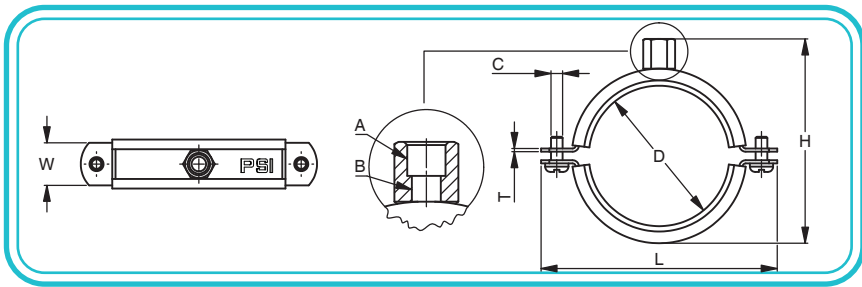
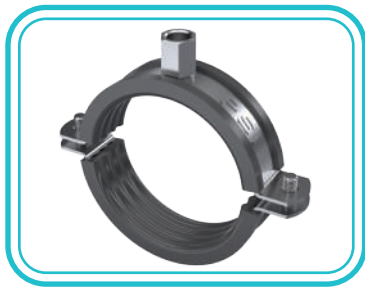


PRODUCT CODE	NOMINAL INCHES	D (mm)	RANGE (mm)	TOP NUT (A)	SIDE SCREW (C)	W x T (mm)	H (mm)	L (mm)	MAX. LOAD (N)
PSI-SC-018	3/8"	17.1	15-19	M8 X M10	M6	19 X 1.2	36	60	1500
PSI-SC-022	1/2"	21.3	20-25	M8 X M10	M6	19 X 1.2	43	65	1500
PSI-SC-028	3/4"	26.7	26-30	M8 X M10	M6	19 X 1.2	50	70	1500
PSI-SC-035	1"	33.4	32-36	M8 X M10	M6	19 X 1.2	56	85	1500
PSI-SC-040	1 1/4"	42.1	38-43	M8 X M10	M6	19 X 1.2	63	92	1500
PSI-SC-048	1 1/2"	48.2	47-51	M8 X M10	M6	19 X 1.2	72	98	1500
PSI-SC-054	---	54	53-58	M8X M10	M6	19 X 1.2	75	104	1500
PSI-SC-060	2"	60.3	60-64	M8 X M10	M6	19 X 1.2	81	110	1500
PSI-SC-063	---	63	63-66	M8 X M10	M6	19 X 1.2	88	115	2000
PSI-SC-070	---	70	68-72	M8 X M10	M6	19 X 1.2	91	120	2000
PSI-SC-075	2 1/2"	75	74-80	M8 X M10	M6	19 X 1.5	96	125	2000
PSI-SC-083	---	83	81-86	M8 X M10	M6	19 X 1.5	108	139	2000
PSI-SC-090	3"	88.9	87-92	M8 X M10	M6	19 X 1.5	111	146	2000
PSI-SC-100	3 1/2"	101.6	99-105	M8 X M10	M6	19 X 1.5	121	156	2000
PSI-SC-110	---	110	107-112	M8 X M10	M6	19 X 1.5	131	166	2000
PSI-SC-115	4"	114.3	113-118	M8 X M10	M6	19 X 1.5	136	171	2500
PSI-SC-125	---	125	125-130	M8 X M10	M6	19 X 2.0	146	181	2500
PSI-SC-133	---	133	131-137	M8 X M10	M6	19 X 2.0	154	184	2500
PSI-SC-140	5"	141.3	138-142	M8 X M10	M6	19 X 2.0	161	196	2500
PSI-SC-150	---	150	148-153	M8 X M10	M6	19 X 2.0	171	206	2500
PSI-SC-160	---	160	159-166	M8 X M10	M6	19 X 2.0	181	216	2500
PSI-SC-168	6"	168.3	168-172	M8 X M10	M6	19 X 2.0	189	224	2500
PSI-SC-219	8"	219.1	215-220	M8 X M10	M8	19 X 2.0	241	276	3000
PSI-SC-273	10"	273	269-274	M8 X M10	M8	19 X 2.0	271	306	3000
PSI-SC-315	12"	315	313-318	M8 X M10	M8	19 X 2.0	336	371	3000

NOTES :

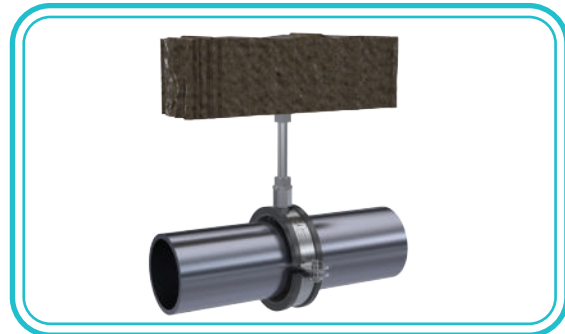
- TOP NUT IS AS PER CUSTOMERS REQUIREMENT WE PROVIDE M8X10 DUAL NUT, WE CAN ALSO PROVIDE IN HEX NUTS AND ALSO LONG HEX NUTS.
- WE PROVIDE EXTENDED THREADS FOR SIDE SCREW WHICH GIVES MORE STRENGTH AND CHANCES OF SLIPPAGE AT LOAD IS ZERO.
- WE PROVIDE SIDE SCREW WITH NUT ON REQUEST.

SPLIT CLAMP WITH EPDM



FEATURES AND BENEFITS

Description	<ul style="list-style-type: none"> • Lock bolts with combi cross recessed head. • For horizontal and vertical applications. • Profiled for extra strength
Material	<ul style="list-style-type: none"> • Mild Steel, Stainless Steel, Aluminium, other materials on request.
Specification	<ul style="list-style-type: none"> • Electro galvanized as per ASTM B 633. • Galvanized ASTM A123 /A 123M. • EPDM Temperature resistance from - 20 °C to +110 °C. • EPDM Noise reduction up to 18 dB (A)

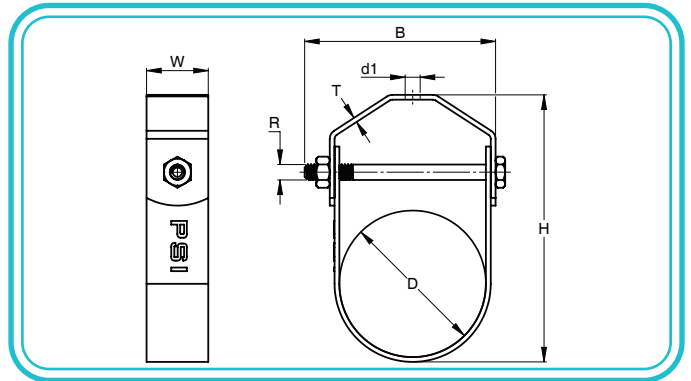


PRODUCT CODE	NOMINAL INCHES	D (mm)	RANGE (mm)	TOP NUT (A)	SIDE SCREW (C)	W x T (mm)	H (mm)	L (mm)	MAX. LOAD (N)
PSI-SCR-018	3/8"	17.1	15-19	M8 X M10	M6	19 X 1.2	36	60	1500
PSI-SCR-022	1/2"	21.3	20-25	M8 X M10	M6	19 X 1.2	43	65	1500
PSI-SCR-028	3/4"	26.7	26-30	M8 X M10	M6	19 X 1.2	50	70	1500
PSI-SCR-035	1"	33.4	32-36	M8 X M10	M6	19 X 1.2	56	85	1500
PSI-SCR-040	1 1/4"	42.1	38-43	M8 X M10	M6	19 X 1.2	63	92	1500
PSI-SCR-048	1 1/2"	48.2	47-51	M8 X M10	M6	19 X 1.2	72	98	1500
PSI-SCR-054	---	54	53-58	M8X M10	M6	19 X 1.2	75	104	1500
PSI-SCR-060	2"	60.3	60-64	M8 X M10	M6	19 X 1.2	81	110	1500
PSI-SCR-063	---	63	63-66	M8 X M10	M6	19 X 1.2	88	115	2000
PSI-SCR-070	---	70	68-72	M8 X M10	M6	19 X 1.2	91	120	2000
PSI-SCR-075	2 1/2"	75	74-80	M8 X M10	M6	19 X 1.5	96	125	2000
PSI-SCR-083	---	83	81-86	M8 X M10	M6	19 X 1.5	108	139	2000
PSI-SCR-090	3"	88.9	87-92	M8 X M10	M6	19 X 1.5	111	146	2000
PSI-SCR-100	3 1/2"	101.6	99-105	M8 X M10	M6	19 X 1.5	121	156	2000
PSI-SCR-110	---	110	107-112	M8 X M10	M6	19 X 1.5	131	166	2000
PSI-SCR-115	4"	114.3	113-118	M8 X M10	M6	19 X 1.5	136	171	2500
PSI-SCR-125	---	125	125-130	M8 X M10	M6	19 X 2.0	146	181	2500
PSI-SCR-133	---	133	131-137	M8 X M10	M6	19 X 2.0	154	184	2500
PSI-SCR-140	5"	141.3	138-142	M8 X M10	M6	19 X 2.0	161	196	2500
PSI-SCR-150	---	150	148-153	M8 X M10	M6	19 X 2.0	171	206	2500
PSI-SCR-160	---	160	159-166	M8 X M10	M6	19 X 2.0	181	216	2500
PSI-SCR-168	6"	168.3	168-172	M8 X M10	M6	19 X 2.0	189	224	2500
PSI-SCR-219	8"	219.1	215-220	M8 X M10	M8	19 X 2.0	241	276	3000
PSI-SCR-273	10"	273	269-274	M8 X M10	M8	19 X 2.0	271	306	3000
PSI-SCR-315	12"	315	313-318	M8 X M10	M8	19 X 2.0	336	371	3000

NOTES :

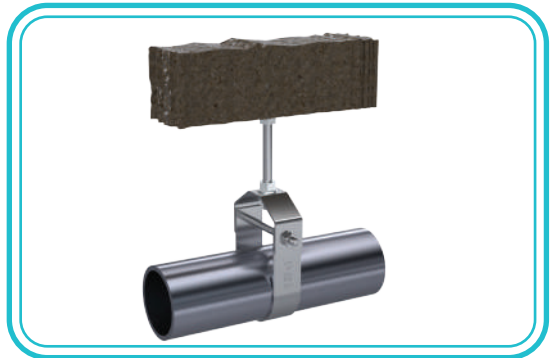
- TOP NUT IS AS PER CUSTOMERS REQUIREMENT WE PROVIDE M8X10 DUAL NUT, WE CAN ALSO PROVIDE IN HEX NUTS AND ALSO LONG HEX NUTS.
- WE PROVIDE EXTENDED THREADS FOR SIDE SCREW WHICH GIVES MORE STRENGTH AND CHANCES OF SLIPPAGE AT LOAD IS ZERO.
- WE PROVIDE SIDE SCREW WITH NUT ON REQUEST.
- (a) EP- MICRONS : 8µ-15µ (b) HDG - MICRONS : 70µ - 95µ

CLEVIS HANGER



FEATURES AND BENEFITS

Description	<ul style="list-style-type: none"> Designed for chilled water pipe work and fire fighting systems. Design permits vertical adjustment of pipe after installation. Hanger load nut above clevis must be tightened securely to ensure proper hanger performance.
Material	<ul style="list-style-type: none"> Steel, other materials on request.
Specification	<ul style="list-style-type: none"> Electro galvanized as per ASTM B 633. Galvanized ASTM A123 /A 123M. Designed to meet MSS Standard SP-58, type 1 & SP-69.



PRODUCT CODE	NOMINAL INCHES	(D) (mm)	WIDTH (W) (mm)	THICKNESS (t) (mm)	HEIGHT (H) (mm)	TOP HOLE DIA (d1)(mm)	CROSS BOLT DIA (R & B) mm	MAX. LOAD (N)
PSI-CH-022	1/2"	21.3	25.0	3.0	80.0	10	M8 x 60	4000
PSI-CH-028	3/4"	26.7	25.0	3.0	85.0	10	M8 x 68	4000
PSI-CH-035	1"	33.4	25.0	3.0	99.0	10	M8 x 78	4000
PSI-CH-040	1 1/4"	42.1	25.0	3.0	107.0	10	M8 x 82	4000
PSI-CH-048	1 1/2"	43.2	25.0	3.0	109.0	10	M8 x 88	4000
PSI-CH-060	2"	60.3	25.0	3.0	128.0	10	M10 x 110	4000
PSI-CH-075	2 1/2"	73	25	4	158.0	10	M10 x 125	6500
PSI-CH-090	3"	88.9	25.0	4.0	171.0	10	M10 x 140	6500
PSI-CH-100	3 1/2"	101.6	25.0	4.0	179.0	10	M10 x 155	6500
PSI-CH-115	4"	114.3	32.0	6.0	204.0	10	M10 x 170	8000
PSI-CH-140	5"	141.3	32.0	6.0	235.0	12	M12 x 195	8000
PSI-CH-168	6"	168.3	40.0	6.0	265.0	12	M12 x 225	11000
PSI-CH-219	8"	219.1	40.0	6.0	333.0	12	M12 x 275	11000
PSI-CH-273	10"	273.1	40.0	6.0	390.0	16	M16 x 360	15000
PSI-CH-323	12"	323.8	50.0	9.0	465.0	20	M20 x 420	15000
PSI-CH-355	14"	355.6	50.0	9.0	525.0	20	M20 x 455	17500
PSI-CH-406	16"	406.4	65.0	12.0	575.0	24	M24 x 510	17500
PSI-CH-457	18"	457.2	65.0	12.0	650.0	24	M24 x 555	17500
PSI-CH-508	20"	508	75	12	705.0	30	M24 x 610	22000
PSI-CH-610	24"	609.6	75.0	16.0	815.0	30	M24 x 710	27000
PSI-CH-755	30"	762	75	19	1000.0	30	M24 x 890	30000

NOTE:

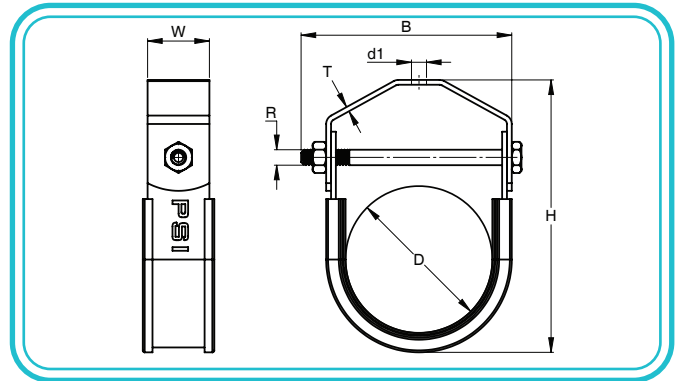
- THE CROSS BOLT AND HANGER ROD SIZE CAN BE CHANGED UPON REQUEST.
- THE SIZES OF CLEVIS HANGER ABOVE 8" WILL BE PROVIDED IN HDPE BAGS.
- (a) EP - MICRONS: 8µ-15µ (b) HDG - MICRONS: 70µ - 95µ

Underwriters Laboratories listed for sizes 3/4" to 8". For ordering UL items, add L in the suffix. For Example : PSI-CH-022-L

Compliance - US Standards MSS-SP58 (Type 10), MSS-SP69; EG to ASTM B633 SC3, BS1706 FE/ZN12

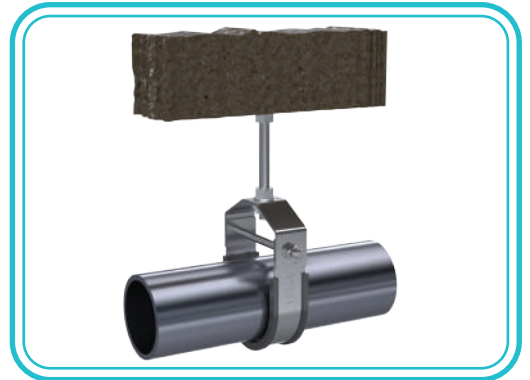


CLEVIS HANGER WITH EPDM LINING



FEATURES AND BENEFITS

Description	<ul style="list-style-type: none"> • Design permits vertical adjustment of pipe after installation. • Designed for chilled water pipe work and fire fighting systems. • Hanger load nut above clevis must be tightened securely to ensure proper hanger performance. • EPDM Temperature resistance from -20°C to + 110°C. • EPDM Noise reduction up to 18 DB (A).
Material	<ul style="list-style-type: none"> • Steel, other materials on request.
Specification	<ul style="list-style-type: none"> • Electro galvanized as per ASTM B 633. • Designed to meet MSS standard SP-58, type 1 and SP-69.



PRODUCT CODE	NOMINAL INCHES	(D) (mm)	WIDTH (W) (mm)	THICKNESS (t) (mm)	HEIGHT (H) (mm)	TOP HOLE DIA (d1)(mm)	CROSS BOLT DIA (R & B) mm	MAX. LOAD (N)
PSI-CHR-022	1/2"	21.3	25.0	3.0	80.0	10	M8 x 60	4000
PSI-CHR-028	3/4"	26.7	25.0	3.0	85.0	10	M8 x 68	4000
PSI-CHR-035	1"	33.4	25.0	3.0	99.0	10	M8 x 78	4000
PSI-CHR-040	1 1/4"	42.1	25.0	3.0	107.0	10	M8 x 82	4000
PSI-CHR-048	1 1/2"	43.2	25.0	3.0	109.0	10	M8 x 88	4000
PSI-CHR-060	2"	60.3	25.0	3.0	128.0	10	M10 x 110	4000
PSI-CHR-075	2 1/2"	73	25	4	158.0	10	M10 x 125	6500
PSI-CHR-090	3"	88.9	25.0	4.0	171.0	10	M10 x 140	6500
PSI-CHR-100	3 1/2"	101.6	25.0	4.0	179.0	10	M10 x 155	6500
PSI-CHR-115	4"	114.3	32.0	6.0	204.0	10	M10 x 170	8000
PSI-CHR-140	5"	141.3	32.0	6.0	235.0	12	M12 x 195	8000
PSI-CHR-168	6"	168.3	40.0	6.0	265.0	12	M12 x 225	11000
PSI-CHR-219	8"	219.1	40.0	6.0	333.0	12	M12 x 275	11000
PSI-CHR-273	10"	273.1	40.0	6.0	390.0	16	M16 x 360	15000
PSI-CHR-323	12"	323.8	50.0	9.0	465.0	20	M20 x 420	15000
PSI-CHR-355	14"	355.6	50.0	9.0	525.0	20	M20 x 455	17500
PSI-CHR-406	16"	406.4	65.0	12.0	575.0	24	M24 x 510	17500
PSI-CHR-457	18"	457.2	65.0	12.0	650.0	24	M24 x 555	17500
PSI-CHR-508	20"	508	75	12	705.0	30	M24 x 610	22000
PSI-CHR-610	24"	609.6	75.0	16.0	815.0	30	M24 x 710	27000
PSI-CHR-755	30"	762	75	19	1000.0	30	M24 x 890	30000

NOTE:

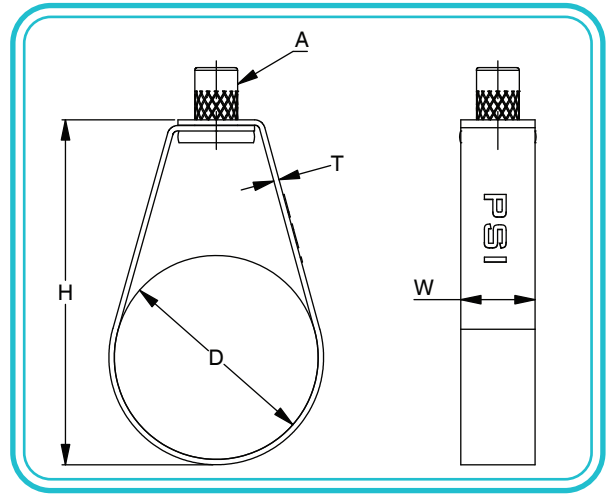
- THE CROSS BOLT AND HANGER ROD SIZE CAN BE CHANGED UPON REQUEST.
- THE SIZES OF CLEVIS HANGER ABOVE 8" WILL BE PROVIDED IN HDPE BAGS.

Underwriters Laboratories listed for sizes 3/4" to 8". For ordering UL items, add L in the suffix. For Example : PSI-CHR-022-L

Compliance - US Standards MSS-SP58 (Type 10), MSS-SP69; EG to ASTM B633 SC3, BS1706 FE/ZN12

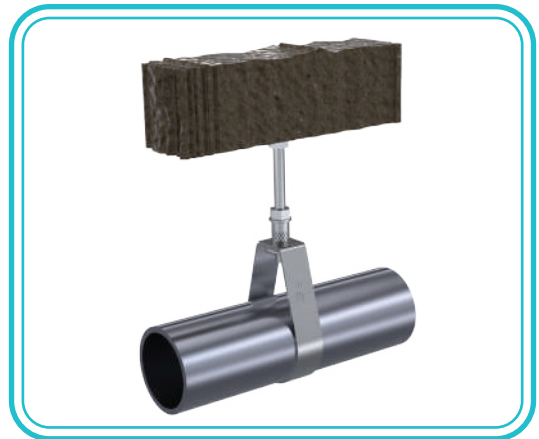


SPRINKLER HANGER



FEATURES AND BENEFITS

Description	<ul style="list-style-type: none"> • For use in fire fighting and sprinkler installations. • Easy to install and adjust, without tools. • High load capacity due to one piece design. • Knurled swivel nut to adjust vertical pipe alignment during and after installation.
Material	<ul style="list-style-type: none"> • Mild Steel, other materials on request.
Specification	<ul style="list-style-type: none"> • Electro galvanized as per ASTM B 633. • Galvanized ASTM A123 /A 123M. • Designed to meet MSS Standard SP-58, type 1 & SP-69.



PRODUCT CODE	NOMINAL INCHES	PIPE OD(D) (mm)	HEIGHT (H) (mm)	W x T	A	MICRONS (μ)	MAX. LOAD (N)
PSI-SH-028	3/4"	26.7	61	20 x 1.5	M10	8 - 15	3000
PSI-SH-035	1"	33.4	70	20 x 1.5	M10	8 - 15	3000
PSI-SH-040	1 1/4"	42.1	78	20 x 1.5	M10	8 - 15	3000
PSI-SH-048	1 1/2"	48.2	84	20 x 1.5	M10	8 - 15	3000
PSI-SH-060	5"	60.3	102	20 x 1.5	M10	8 - 15	3000
PSI-SH-073	2 1/2"	73	118	32 x 2.0	M10	8 - 15	4500
PSI-SH-090	3"	88.9	144	32 x 2.0	M10	8 - 15	4500
PSI-SH-115	4"	114.3	176	32 x 2.0	M10	8 - 15	5500
PSI-SH-140	5"	141.3	220	40 x 2.5	M12	8 - 15	6500
PSI-SH-168	6"	168.3	262	40 x 3.0	M12	8 - 15	7500
PSI-SH-219	8"	219.1	305	50 x 3.0	M12	8 - 15	9000
PSI-SH-273	10"	273	320	50 x 3.0	M12	8 - 15	9000

NOTE:

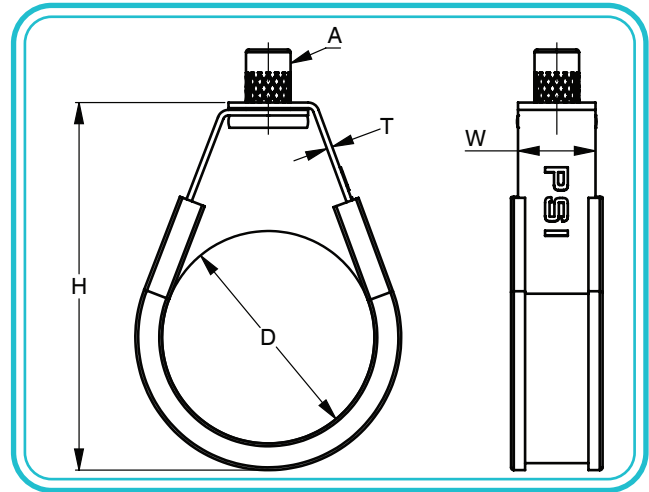
- CUSTOMISED DIMENSIONS AVAILABLE UPON REQUEST
- (a) EP- MICRONS : 8μ-15μ (b) HDG - MICRONS : 70μ - 95μ

Underwriters Laboratories listed for sizes 3/4" to 8". For ordering UL items, add L in the suffix. For Example : PSI-SH-028-L

Compliance - US Standards MSS-SP58 (Type 10), MSS-SP69, EG to ASTM B633 SC3, BS1706 FE/ZN12

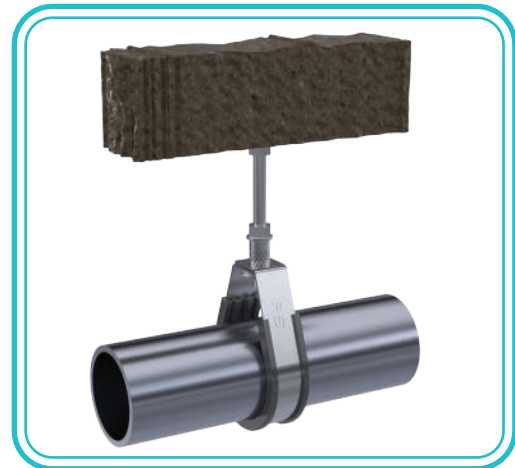


SPRINKLER HANGER WITH EPDM LINING



FEATURES AND BENEFITS

Description	<ul style="list-style-type: none"> • For use in fire fighting and sprinkler installations. • Easy to install and adjust, without tools. • High load capacity due to one piece design. • Knurled swivel nut to adjust vertical pipe alignment during and after installation.
Material	<ul style="list-style-type: none"> • Mild Steel, other materials on request.
Specification	<ul style="list-style-type: none"> • Electro galvanized as per ASTM B 633. • EPDM Noise reduction up to 188 dB (A). • EPDM Temperature resistance from -20C to +100C • Designed to meet MSS Standard SP-58, type 1 & SP-69.



PRODUCT CODE	NOMINAL INCHES	PIPE OD(D) (mm)	HEIGHT (H) (mm)	W x T	A	MICRONS (μ)	MAX. LOAD (N)
PSI-SHR-028	3/4"	26.7	61	20x1.5	M10	8 - 15	3000
PSI-SHR-035	1"	33.4	70	20x1.5	M10	8 - 15	3000
PSI-SHR-040	1 1/4"	42.1	78	20x1.5	M10	8 - 15	3000
PSI-SHR-048	1 1/2"	48.2	84	20x1.5	M10	8 - 15	3000
PSI-SHR-060	5"	60.3	102	20x1.5	M10	8 - 15	3000
PSI-SHR-073	2 1/2"	73	118	32x2.0	M10	8 - 15	4500
PSI-SHR-090	3"	88.9	144	32x2.0	M10	8 - 15	4500
PSI-SHR-115	4"	114.3	176	32x2.0	M10	8 - 15	5500
PSI-SHR-140	5"	141.3	220	40x2.5	M12	8 - 15	6500
PSI-SHR-168	6"	168.3	262	40x3.0	M12	8 - 15	7500
PSI-SHR-219	8"	219.1	305	50x3.0	M12	8 - 15	9000
PSI-SHR-273	10"	273	320	50x3.0	M12	8 - 15	9000

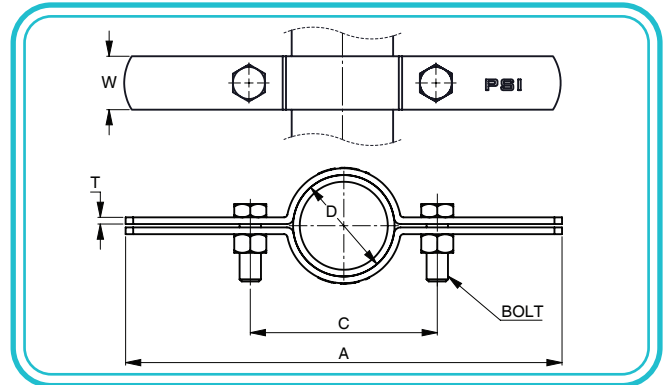
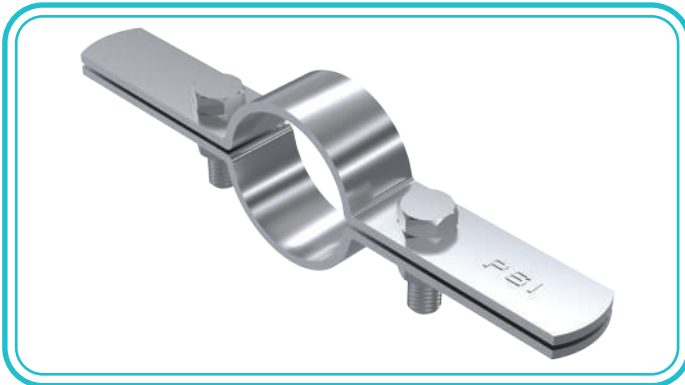
NOTE:

- CUSTOMISED DIMENSIONS AVAILABLE UPON REQUEST

Underwriters Laboratories listed for sizes 3/4" to 8". For ordering UL items, add L in the suffix. For Example : PSI-SHR-028-L
Compliance - US Standards MSS-SP58 (Type 10), MSS-SP69; EG to ASTM B633 SC3, BS1706 FE/ZN12

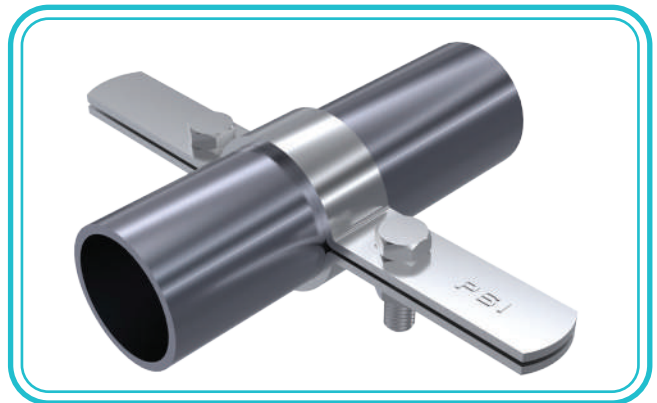


RISER HANGER PLAIN



FEATURES AND BENEFITS

Description	<ul style="list-style-type: none"> Designed to act as a rigid support or guide for vertical pipes. Suitable for use with all types of pipes.
Material	<ul style="list-style-type: none"> Steel, other materials on request.
Specification	<ul style="list-style-type: none"> Electro galvanized as per ASTM B 633. Galvanized as per ASTM A 123/ A 123M. Designed to meet MSS Standard SP-58-2002, SP-58-2002, type 8 and SP-69.

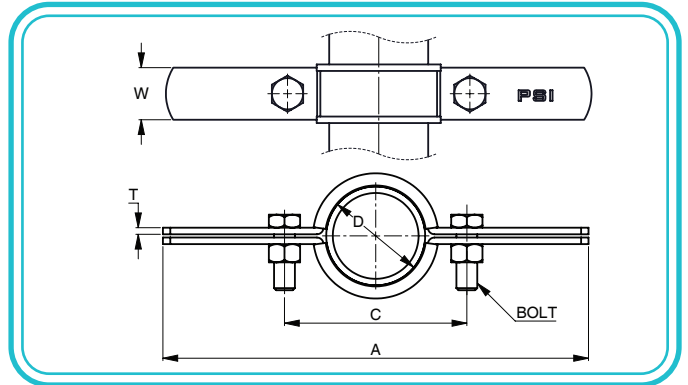
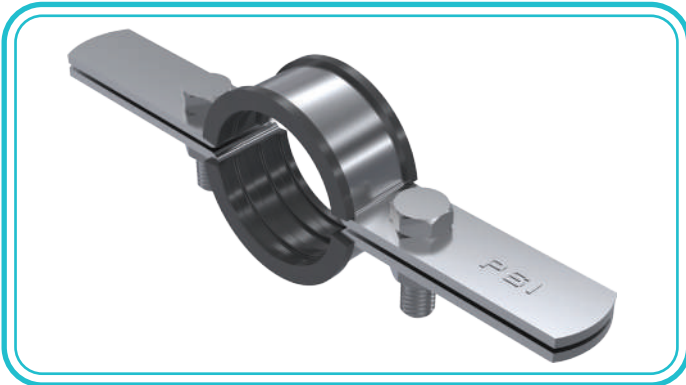


PRODUCT CODE	NOMINAL INCHES	W x T	D (mm)	TOTAL LENGTH (A) mm	LENGTH BETWEEN BOLTS C (mm)	BOLT HOLE SIZE (mm)	MAX. LOAD (N)
PSI-RH-022	1/2"	25 x 5.0	21.3	216	59	11	4000
PSI-RH-028	3/4"	25 x 5.0	26.7	227	68	11	4000
PSI-RH-035	1"	25 x 5.0	33.4	227	71	11	4000
PSI-RH-042	1 1/4"	25 x 5.0	42.1	240	83	11	4000
PSI-RH-048	1. 1/2"	25 x 5.0	48.2	251	96	11	4000
PSI-RH-060	2"	25 x 5.0	60.3	260	106	11	4000
PSI-RH-075	2 1/2"	25 x 6.0	13	280	124	11	6500
PSI-RH-090	3"	25 x 6.0	88.9	298	140	11	6500
PSI-RH-115	4"	25 x 6.0	114.3	321	165	13	8000
PSI-RH-140	5"	25 x 6.0	141.3	330	168	13	8000
PSI-RH-168	6"	40 x 6.0	168.3	368	210	13	11000
PSI-RH-219	8"	40 x 6.0	219.1	406	244	17	11000
PSI-RH-273	10"	40 x 10.0	273.1	464	311	17	15000
PSI-RH-323	12"	50 x 10.0	323.8	524	371	17	15000
PSI-RH-355	14"	50 x 12.0	355.6	581	435	17	17500
PSI-RH-406	16"	50 x 12.0	406.4	622	464	17	17500
PSI-RH-457	18"	60 x 16.0	457.2	636	533	21	17500
PSI-RH-508	20"	60 x 16.0	508	750	600	21	22000
PSI-RH-610	24"	60 x 16.0	609.6	850	700	21	27000

NOTE:

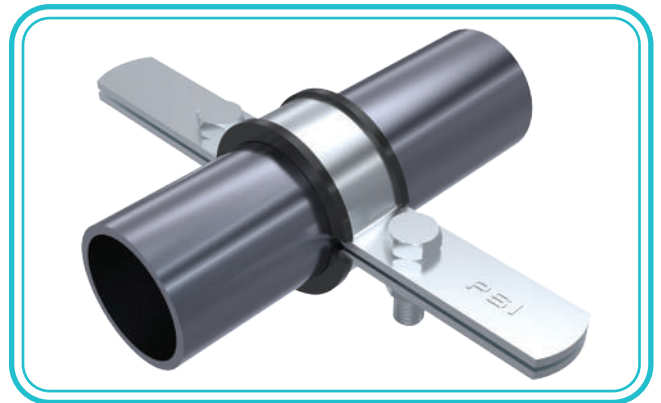
- CUSTOMISED DIMENSIONS AVAILABLE UPON REQUEST
- (a) EP- MICRONS : 8μ-15μ (b) HDG - MICRONS : 70μ - 95μ

RISER HANGER WITH EPDM LINING



FEATURES AND BENEFITS

Description	<ul style="list-style-type: none"> Designed to act as a rigid support or guide for vertical pipes. Suitable for use with all types of pipes.
Material	<ul style="list-style-type: none"> Steel, other materials on request.
Specification	<ul style="list-style-type: none"> Electro galvanized as per ASTM B 633. Designed to meet MSS Standard SP-58-2002, type 8 and SP-69. Temperature resistance from -20 °C to +110 °C Noise insulating lining, EPDM, black. Noise reduction up to 18cB (A).

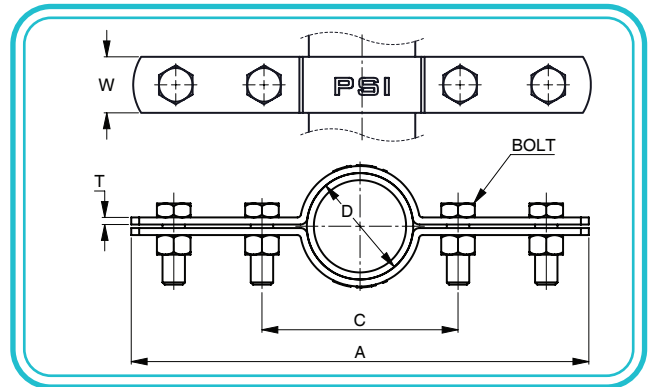
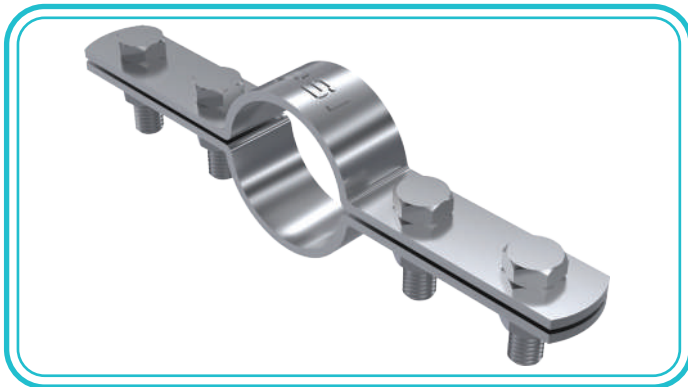


PRODUCT CODE	NOMINAL INCHES	W x T	D (mm)	TOTAL LENGTH (A) mm	LENGTH BETWEEN BOLTS C (mm)	BOLT HOLE SIZE (mm)	MAX. LOAD (N)	MICRONS (μ)
PSI-CHR-022	1/2"	25 x 5.0	21.3	216	59	11	4000	8-15
PSI-CHR-028	3/4"	25 x 5.0	26.7	227	68	11	4000	8-15
PSI-CHR-035	1"	25 x 5.0	33.4	227	71	11	4000	8-15
PSI-CHR-042	1 1/4"	25 x 5.0	42.1	240	83	11	4000	8-15
PSI-CHR-048	1 1/2"	25 x 5.0	48.2	251	96	11	4000	8-15
PSI-CHR-060	2"	25 x 5.0	60.3	260	106	11	4000	8-15
PSI-CHR-075	2 1/2"	25 x 6.0	13	280	124	11	6500	8-15
PSI-CHR-090	3"	25 x 6.0	88.9	298	140	11	6500	8-15
PSI-CHR-115	4"	25 x 6.0	114.3	321	165	13	8000	8-15
PSI-CHR-140	5"	25 x 6.0	141.3	330	168	13	8000	8-15
PSI-CHR-168	6"	40 x 6.0	168.3	368	210	13	11000	8-15
PSI-CHR-219	8"	40 x 10.0	219.1	406	244	17	11000	8-15
PSI-CHR-273	10"	40 x 10.0	273.1	464	311	17	15000	8-15
PSI-CHR-323	12"	50 x 12.0	323.8	524	371	17	15000	8-15
PSI-CHR-355	14"	50 x 12.0	355.6	581	435	17	17500	8-15
PSI-CHR-406	16"	60 x 16.0	406.4	622	464	17	17500	8-15
PSI-CHR-457	18"	60 x 16.0	457.2	636	533	21	17500	8-15
PSI-CHR-508	20"	60 x 16.0	508	750	600	21	22000	8-15
PSI-CHR-610	24"	60 x 16.0	609.6	850	700	21	27000	8-15

NOTE:

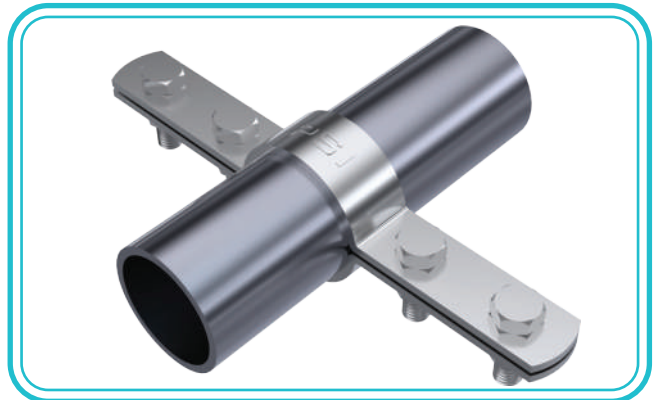
- CUSTOMISED DIMENSIONS AVAILABLE UPON REQUEST.

RISER HANGER WITH FOUR BOLTS FASTENING



FEATURES AND BENEFITS

Description	<ul style="list-style-type: none"> Designed to act as a rigid support or guide for vertical pipes. Suitable for use with all types of pipes.
Material	<ul style="list-style-type: none"> Steel, other materials on request.
Specification	<ul style="list-style-type: none"> Electro galvanized as per ASTM B 633. Designed to meet MSS Standard SP-58-2002, type 8 and SP-69.

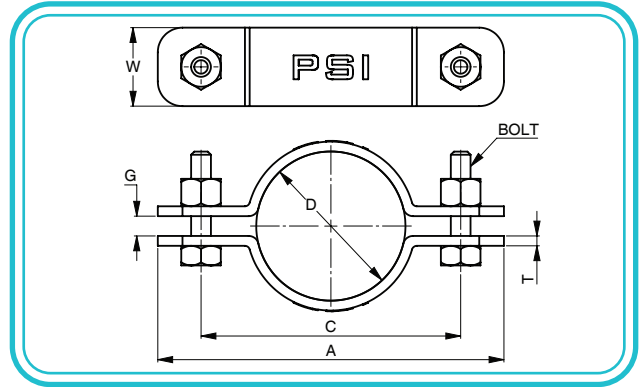


PRODUCT CODE	NOMINAL INCHES	W x T	D (mm)	TOTAL LENGTH (A) mm	LENGTH BETWEEN BOLTS C (mm)	BOLT HOLE SIZE (mm)	MAX. LOAD (N)	MICRONS (μ)
PSI-RHFB-022	1/2"	25 x 5.0	21.3	216	59	11	4000	8-15
PSI-RHFB-028	3/4"	25 x 5.0	26.7	227	68	11	4000	8-15
PSI-RHFB-035	1"	25 x 5.0	33.4	227	71	11	4000	8-15
PSI-RHFB-042	1 1/4"	25 x 5.0	42.1	240	83	11	4000	8-15
PSI-RHFB-048	1 1/2"	25 x 5.0	48.2	251	96	11	4000	8-15
PSI-RHFB-060	2"	25 x 5.0	60.3	260	106	11	4000	8-15
PSI-RHFB-075	2 1/2"	25 x 6.0	13	280	124	11	6500	8-15
PSI-RHFB-090	3"	25 x 6.0	88.9	298	140	11	6500	8-15
PSI-RHFB-115	4"	25 x 6.0	114.3	321	165	13	8000	8-15
PSI-RHFB-140	5"	25 x 6.0	141.3	330	168	13	8000	8-15
PSI-RHFB-168	6"	40 x 6.0	168.3	368	210	13	11000	8-15
PSI-RHFB-219	8"	40 x 10.0	219.1	406	244	17	11000	8-15
PSI-RHFB-273	10"	40 x 10.0	273.1	464	311	17	15000	8-15
PSI-RHFB-323	12"	50 x 12.0	323.8	524	371	17	15000	8-15
PSI-RHFB-355	14"	50 x 12.0	355.6	581	435	17	17500	8-15
PSI-RHFB-406	16"	60 x 16.0	406.4	622	464	17	17500	8-15
PSI-RHFB-457	18"	60 x 16.0	457.2	636	533	21	17500	8-15
PSI-RHFB-508	20"	60 x 16.0	508	750	600	21	22000	8-15
PSI-RHFB-610	24"	60 x 16.0	609.6	850	700	21	27000	8-15

NOTE :

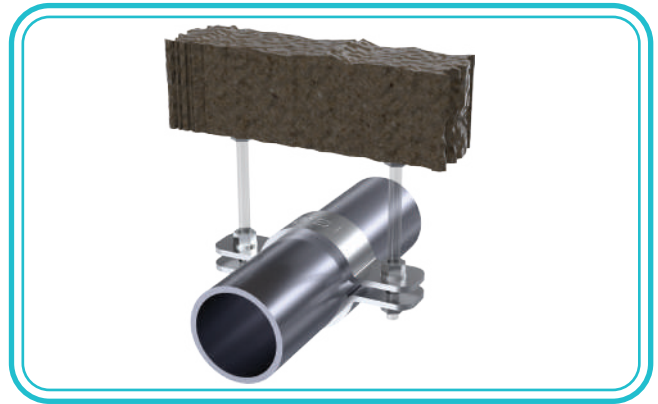
• CUSTOMISED DIMENSIONS AVAILABLE UPON REQUEST

TWO BOLT CLAMP PLAIN



FEATURES AND BENEFITS

Description	<ul style="list-style-type: none"> • Designed to act as a rigid support or guide for vertical pipes. • Suitable for use with all types of pipes.
Material	<ul style="list-style-type: none"> • Steel, other materials on request.
Specification	<ul style="list-style-type: none"> • Electro galvanized as per ASTM B 633. • Galvanised as per ASTM A 123 / A123 M • Designed to meet MSS Standard SP-58-2002, type 8 and SP-69.

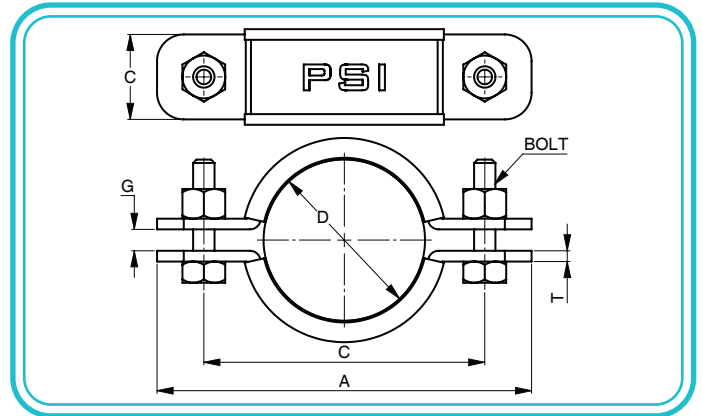


PRODUCT CODE	NOMINAL INCHES	W x T	D (mm)	TOTAL LENGTH (A) mm	LENGTH BETWEEN BOLTS C (mm)	GAP G (mm)	BOLT SIZE (μ)	MAX. LOAD (N)
PSI-TBC-022	1/2"	25x5.0	21.3	97	68	12	M10	1700
PSI-TBC-028	3/4"	25x5.0	26.7	105	76	12	M10	1700
PSI-TBC-035	1"	25x5.0	33.4	113	84	12	M10	1700
PSI-TBC-042	1 1/4"	25x5.0	42.1	121	92	12	M10	1700
PSI-TBC-048	1 1/2"	25x5.0	48.2	127	98	12	M10	1700
PSI-TBC-060	2"	25x5.0	60.3	156	116	16	M10	1700
PSI-TBC-075	2 1/2"	25x6.0	73	182	142	16	M12	4000
PSI-TBC-090	3"	25x6.0	88.9	196	156	16	M12	4000
PSI-TBC-100	3 1/2"	25x6.0	101	208	168	16	M12	4000
PSI-TBC-115	4"	25x6.0	114.3	220	180	19	M12	4000
PSI-TBC-140	5"	40x6.0	141.3	252	214	19	M16	6000
PSI-TBC-168	6"	40x6.0	168.3	290	242	22	M16	6000
PSI-TBC-219	8"	40x9.0	219.1	352	302	25	M16	11000
PSI-TBC-273	10"	50x9.0	273.1	406	358	25	M16	12000
PSI-TBC-323	12"	50x12.0	323.8	490	430	25	M20	15000
PSI-TBC-355	14"	50x12.0	355.6	546	480	28	M20	15000
PSI-TBC-406	16"	60x16.0	406.4	597	532	28	M20	22000
PSI-TBC-457	18"	60x16.0	457.2	686	610	32	M20	20000
PSI-TBC-508	20"	60x16.0	508	776	680	35	M20	22000
PSI-TBC-610	24"	60x16.0	609.6	876	780	42	M20	22000

NOTE :

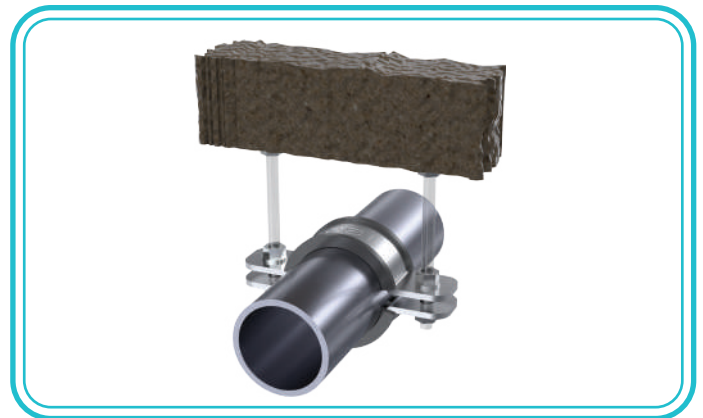
- CUSTOMISED DIMENSIONS AVAILABLE UPON REQUEST
- (a) EP - MICRONS : 8μ - 15μ (b) HDG - MICRONS : 70μ - 95μ

TWO BOLT CLAMP WITH EPDM LINING



FEATURES AND BENEFITS

Description	<ul style="list-style-type: none"> Designed to act as a rigid support or guide for vertical pipes. Suitable for use with all types of pipes.
Material	<ul style="list-style-type: none"> Steel, other materials on request.
Specification	<ul style="list-style-type: none"> Electro galvanized as per ASTM B 633. Designed to meet MSS Standard SP-58-2002, type 8 and SP-69. EPDM Temperature resistance from -20 °C to +110 °C Noise insulating lining, EPDM, black. EPDM Noise reduction up to 18dB (A).

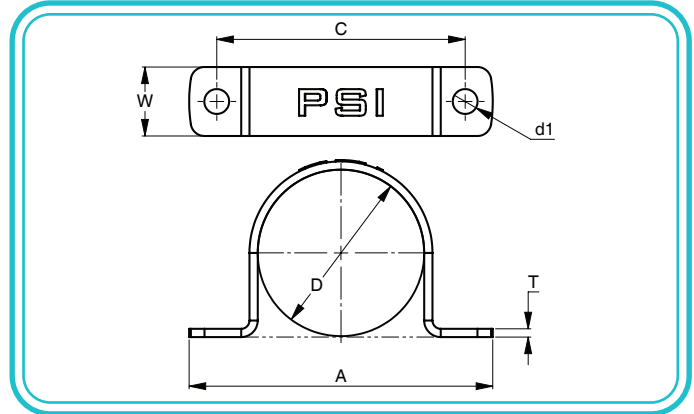


PRODUCT CODE	NOMINAL INCHES	W x T	PIPE OD(D) (mm)	TOTAL LENGTH (A) mm	LENGTH BETWEEN BOLTS C (mm)	GAP (G) (mm)	BOLT SIZE (μ)	MAX. LOAD (N)
PSI-TBCR-022	1/2"	25x5.0	21.3	97	68	12	M10	1700
PSI-TBCR-028	3/4"	25x5.0	26.7	105	76	12	M10	1700
PSI-TBCR-035	1"	25x5.0	33.4	113	84	12	M10	1700
PSI-TBCR-042	1 1/4"	25x5.0	42.1	121	92	12	M10	1700
PSI-TBCR-048	1 1/2"	25x5.0	48.2	127	98	12	M10	1700
PSI-TBCR-060	2"	25x5.0	60.3	156	116	16	M10	1700
PSI-TBCR-075	2 1/2"	25x6.0	73	182	142	16	M12	4000
PSI-TBCR-090	3"	25x6.0	88.9	196	156	16	M12	4000
PSI-TBCR-100	3 1/2"	25x6.0	101	208	168	16	M12	4000
PSI-TBCR-115	4"	25x6.0	114.3	220	180	19	M12	4000
PSI-TBCR-140	5"	40x6.0	141.3	252	214	19	M16	6000
PSI-TBCR-168	6"	40x6.0	168.3	290	242	22	M16	6000
PSI-TBRC-219	8"	40x9.0	219.1	352	302	25	M16	11000
PSI-TBCR-273	10"	50x9.0	273.1	406	358	25	M16	12000
PSI-TBCR-323	12"	50x12.0	323.8	490	430	25	M20	15000
PSI-TBCR-355	14"	50x12.0	355.6	546	480	28	M20	15000
PSI-TBCR-406	16"	60x16.0	406.4	597	532	28	M20	22000
PSI-TBCR-457	18"	60x16.0	457.2	686	610	32	M20	20000
PSI-TBCR-508	20"	60x16.0	508	776	680	35	M20	22000
PSI-TBRC-610	24"	60x16.0	609.6	876	780	42	M20	22000

NOTE:

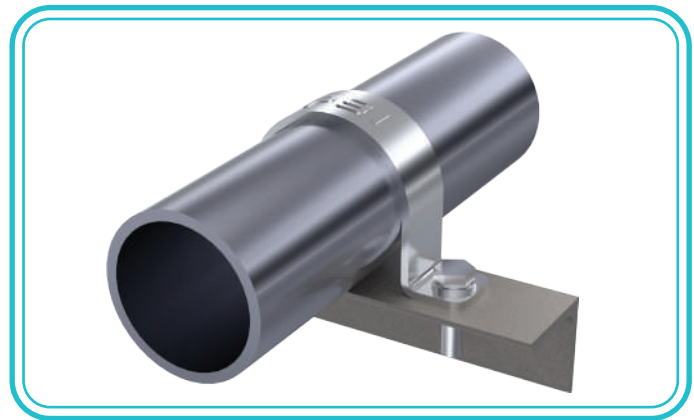
- CUSTOMISED DIMENSIONS AVAILABLE UPON REQUEST

U STRAP



FEATURES AND BENEFITS

Description	<ul style="list-style-type: none"> • For mounting plain or insulated pipes • Can be used with Rubber Support Inserts • Slotted hole same as used U strap
Material	<ul style="list-style-type: none"> • Steel, other materials on request.
Specification	<ul style="list-style-type: none"> • Electro galvanized as per ASTM B 633. • Galvanised as per ASTM A 123 / A123 M • Designed to meet MSS Standard SP-58-2002, type 8 and SP-69.



PRODUCT CODE	NOMINAL INCHES	D (mm)	W x T	A mm	C mm	d1 (mm)	MAX. LOAD (N)
PSI-US-017	3/8"	17.1	25 x 2.0	72	47	M11	4000
PSI-US-022	1/2"	21.3	25 x 2.0	76	51	M11	4000
PSI-US-028	3/4"	26.7	25 x 2.0	82	37	M11	4000
PSI-US-035	1"	33.4	25 x 2.0	89	64	M11	4000
PSI-US-042	1 1/4"	42.1	25 x 2.0	96	71	M11	4000
PSI-US-048	1 1/2"	48.2	25 x 2.0	102	77	M11	5000
PSI-US-054	-	54	25 x 2.0	108	83	M11	5000
PSI-US-060	2"	60.3	25 x 2.0	114	89	M11	5000
PSI-US-067	-	67	25 x 3.0	121	96	M11	5000
PSI-US-075	2 1/2"	73	25 x 3.0	145	113	M11	6000
PSI-US-082	-	82	25 x 3.0	152	120	M11	6000
PSI-US-090	3"	88.9	25 x 3.0	160	128	M11	6000
PSI-US-090	3 1/2"	101.6	25 x 3.0	170	138	M11	6000
PSI-US-108	-	108	25 x 3.0	178	146	M11	6000
PSI-US-115	4"	114.3	25 x 3.0	185	153	M11	6000
PSI-US-126	-	126	25 x 3.0	196	164	M11	6000
PSI-US-140	5"	141.3	25 x 3.0	210	178	M11	6000
PSI-US-148	-	148	25 x 3.0	218	186	M11	6000
PSI-US-155	-	155	25 x 3.0	225	193	M11	6000
PSI-US-167	6"	168.3	40 x 6.0	237	205	M11	8000

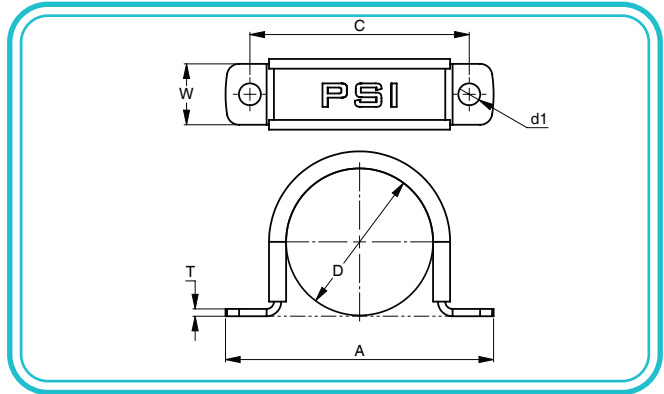
U STRAP

PRODUCT CODE	NOMINAL INCHES	D (mm)	W x T	A mm	C mm	d1 (mm)	MAX. LOAD (N)
PSI-US-179	-	179	25 x 3.0	249	217	M11	8000
PSI-US-190	-	190	38 x 3.0	260	228	M11	8000
PSI-US-205	-	205	38 x 3.0	275	243	M11	8000
PSI-US-219	8"	219.1	38 x 3.0	289	257	M11	8000
PSI-US-230	-	230	38 x 3.0	300	268	M11	8000
PSI-US-241	-	241	38 x 4.0	332	291	M11	12500
PSI-US-263	-	263	38 x 4.0	354	313	M11	12500
PSI-US-273	10"	273	38 x 4.0	364	323	M13	12500
PSI-US-295	-	295	38 x 4.0	386	345	M13	12500
PSI-US-323	12"	323.8	38 x 4.0	417	376	M13	12500
PSI-US-355	14"	355.6	50 x 4.0	447	409	M13	18000
PSI-US-374	-	374	50 x 4.0	465	427	M13	18000
PSI-US-406	16"	406.4	50 x 4.0	497	459	M13	18000
PSI-US-432	-	432	50 x 4.0	523	485	M13	18000
PSI-US-457	18"	457.2	50 x 4.0	547	509	M17	18000
PSI-US-482	-	482	50 x 4.0	573	535	M17	18000
PSI-US-508	20"	508.2	50 x 4.0	599	561	M17	18000
PSI-US-533	-	533	50 x 4.0	624	586	M17	18000
PSI-US-559	-	559	50 x 4.0	650	612	M17	18000
PSI-US-583	-	583	50 x 4.0	674	636	M17	18000
PSI-US-610	24"	609.6	50 x 4.0	701	663	M17	18000
PSI-US-658	-	658	50 x 6.0	766	721	M17	23000
PSI-US-690	-	690	50 x 6.0	798	753	M17	23000
PSI-US-760	-	760	50 x 6.0	868	823	M17	23000
PSI-US-863	-	863	50 x 6.0	971	926	M17	23000
PSI-US-918	-	918	50 x 6.0	1026	981	M17	23000

NOTE:

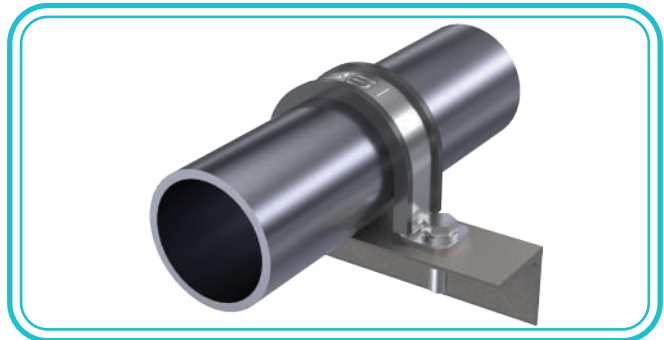
- CUSTOMIZED DIMENSIONS AVAILABLE ON REQUEST.
- U STRAP OF ALL NON STANDARD SIZES TO FIT UPON RUBBER SUPPORT INSERT CAN BE MANUFACTURED.
- (a) EP - MICRONS: 8µ - 15µ (b) HDG - MICRONS : 70µ - 95µ

U STRAP WITH EPDM LINING



FEATURES AND BENEFITS

Description	<ul style="list-style-type: none"> For mounting plain or insulated pipes Can be used with Rubber Support Inserts Slotted hole same as used U strap
Material	<ul style="list-style-type: none"> Steel, other materials on request.
Specification	<ul style="list-style-type: none"> Electro galvanized as per ASTM B 633. Designed to meet MSS Standard SP-58-2002, type 8 and SP-69. EPDM Temperature resistance from -20 °C to +110 °C Noise insulating lining, EPDM, black. EPDM Noise reduction up to 18dB (A).

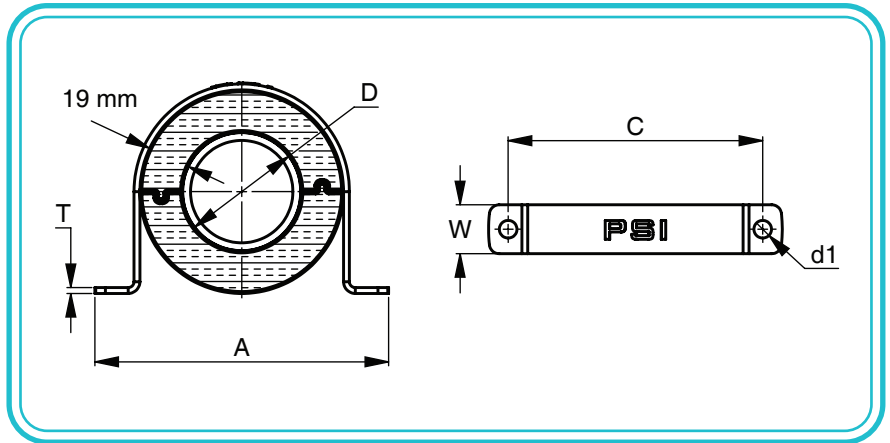


PRODUCT CODE	NOMINAL INCHES	W x T	D (mm)	A (mm)	C (mm)	d1 (mm)	MAX. LOAD (N)
PSI-USR-022	1/2"	25 x 2.0	21.3	78	54	M11	4000
PSI-USR-028	3/4"	25 x 2.0	26.7	83	59	M11	4000
PSI-USR-035	1"	25 x 2.0	33.4	90	66	M11	4000
PSI-USR-042	1 1/4"	25 x 2.0	42.1	99	75	M11	4000
PSI-USR-048	1 1/2"	25 x 2.0	48.2	104	80	M11	5000
PSI-USR-054	-	25 x 2.0	54	112	87	M11	5000
PSI-USR-060	2"	25 x 2.0	60.3	118	93	M11	5000
PSI-USR-073	2 1/2"	25 x 2.0	73	131	106	M11	6000
PSI-USR-090	3"	25 x 3.0	88.9	151	126	M11	6000
PSI-USR-100	3 1/2"	25 x 3.0	101.6	163	138	M11	6000
PSI-USR-110	-	25 x 3.0	110	172	147	M11	6000
PSI-USR-115	4"	25 x 3.0	114.3	176	151	M11	6000
PSI-USR-140	5"	25 x 3.0	141.3	203	178	M11	6000
PSI-USR-160	-	25 x 3.0	160	222	197	M11	6000
PSI-USR-168	6"	25 x 3.0	168.3	240	210	M13	8000
PSI-USR-219	8"	38 x 3.0	219.1	291	261	M13	8000
PSI-USR-273	10"	38 x 4.0	273	369	329	M13	12500
PSI-USR-323	12"	38 x 4.0	323.8	420	380	M13	12500
PSI-USR-355	14"	50 x 4.0	355.6	456	416	M17	18000
PSI-USR-406	16"	50 x 4.0	406.4	506	466	M17	18000
PSI-USR-457	18"	50 x 4.0	457.2	581	531	M21	18000
PSI-USR-608	20"	50 x 4.0	508.2	632	582	M21	18000
PSI-USR-610	24"	50 x 4.0	609.6	734	684	M21	18000

NOTE:

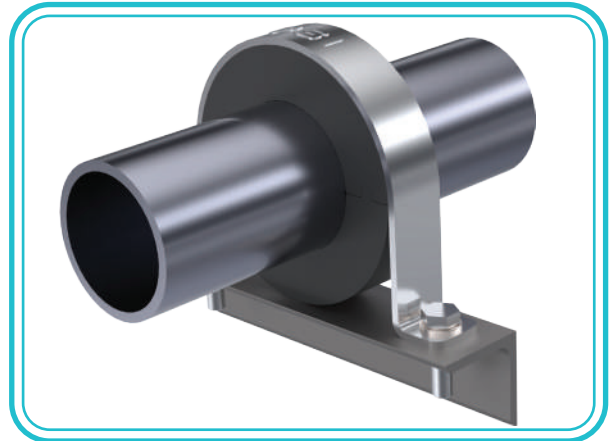
- OTHER DIMENSIONS AVAILABLE ON REQUEST.
- (a) EP - MICRONS: 8µ - 15µ (b) HDG - MICRONS : 70µ - 95µ

U STRAP FOR RSI 19MM INSULATION THICKNESS



FEATURES AND BENEFITS

Description	<ul style="list-style-type: none"> • For mounting plain or insulated pipes. • Can be used with Rubber Support Inserts. • Slotted hole same as used u strap.
Material	<ul style="list-style-type: none"> • Steel, other materials on request.
Specification	<ul style="list-style-type: none"> • Galvanized as per ASTM A 123 / A 123M. • Designed to meet MSS Standard SP-58, type 26 and SP-69.

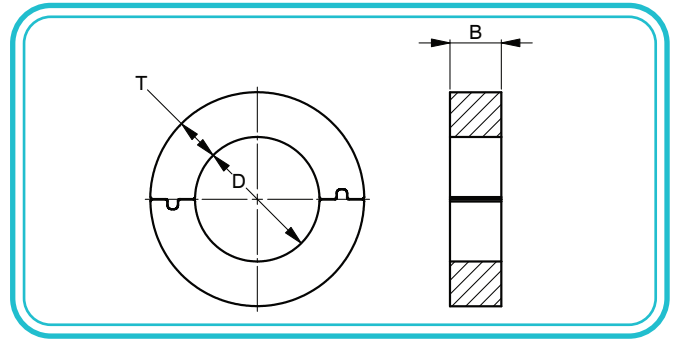
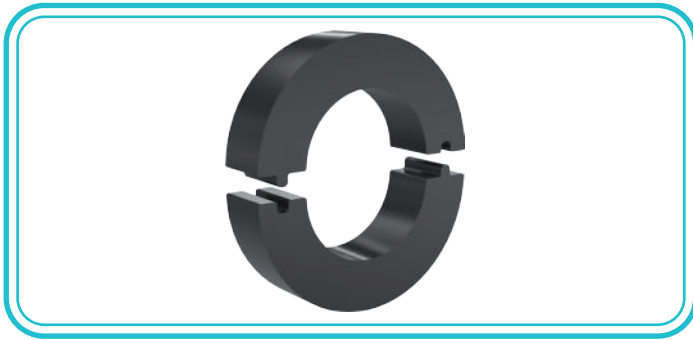


PRODUCT CODE	RSI SIZE	RSI OD (mm)	U STRAP SIZE mm	A (mm)	d1(mm)	MAX LOAD (N)	MICRONS (N)
PSIUSIT064	3/4" x19 mm	64.7	64	114	11	6000	70-95
PSIUSIT072	1" x19 mm	71.4	72	122	11	6000	8-15
PSIUSIT080	1 1/4" x19 mm	80.1	80	130	11	6000	8-15
PSIUSIT086	1 1/2" x19 mm	86.2	86	136	11	6000	8-15
PSIUSIT98	2" x19 mm	98.3	98	148	11	6000	8-15
PSIUSIT111	2 1/2" x19 mm	111	111	161	11	6000	8-15
PSIUSIT127	3" x19 mm	126.9	127	177	11	6000	8-15
PSIUSIT139	3 1/2" x19 mm	139	139	189	11	6000	8-15
PSIUSIT152	4" x19 mm	152	152	202	11	8000	8-15
PSIUSIT179	5" x 19mm	179	179	239	11	8000	8-15
PSIUSIT206	6" x19 mm	206.3	206	266	11	8000	8-15
PSIUSIT257	8" x19 mm	257.1	257	317	11	12500	8-15
PSIUSIT311	10" x 19 mm	311.1	311	381	13	12500	8-15
PSIUSIT361	12" x 19 mm	361	361	431	13	18000	70-95

NOTE :

- OTHER DIMENSIONS AVAILABLE ON REQUEST

RUBBER SUPPORT INSERTS FOR GI PIPES

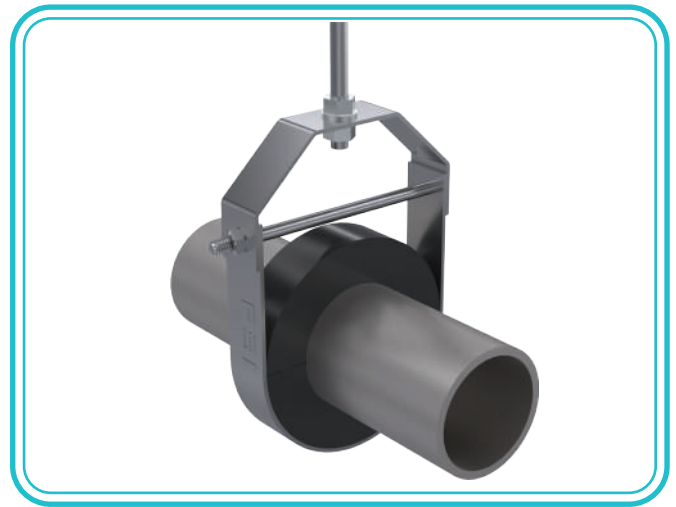


FEATURES AND BENEFITS

Description	<ul style="list-style-type: none"> • Used at the supporting points of insulated pipes to prevent crushing of insulation. • Very high load bearing capacity. • Dimensionally accurate as piece is moulded.
Specification	<ul style="list-style-type: none"> • Density:- 1100 - 1600 kg/m³ • Thermal Conductivity :- 0.16 w/m Temperature • Excellent resistance to deterioration/ distortion. • Resistance from -20 °C to + 110 °C • Designed to meet BS3974-1 : 1974

STANDARD B DIMENSION

Upto 2"	:- 25 mm
2 1/2" to 5"	:- 38 mm
6" and Above	:- 50 mm



SL NO	NOMINAL INCHES	W	PIPE OD(D) (mm)	(T) 13 mm	(T) 19 mm	(T) 25 mm	(T) 32 mm	(T) 38 mm	(T) 50 mm	(T) 65 mm	(T) 75 mm
1	1/2"	25	21.3	PSI13RSI022	PSI19RSI022	PSI25RSI022	PSI32RSI022	PSI38RSI022	PSI50RSI022	PSI65RSI022	PSI75RSI022
2	3/4"	25	26.7	PSI13RSI028	PSI19RSI028	PSI25RSI028	PSI32RSI028	PSI38RSI028	PSI50RSI028	PSI65RSI028	PSI75RSI028
3	1"	25	33.4	PSI13RSI034	PSI19RSI034	PSI25RSI034	PSI32RSI034	PSI38RSI034	PSI50RSI034	PSI65RSI034	PSI75RSI034
4	1 1/4"	25	42.1	PSI13RSI042	PSI19RSI042	PSI25RSI042	PSI32RSI042	PSI38RSI042	PSI50RSI042	PSI65RSI042	PSI75RSI042
5	1 1/2"	25	48.2	PSI13RSI048	PSI19RSI048	PSI25RSI048	PSI32RSI048	PSI38RSI048	PSI50RSI048	PSI65RSI048	PSI75RSI048
6	2"	25	60.3	PSI13RSI060	PSI19RSI060	PSI25RSI060	PSI32RSI060	PSI38RSI060	PSI50RSI060	PSI65RSI060	PSI75RSI060
7	2 1/2"	38	73	PSI13RSI073	PSI19RSI073	PSI25RSI073	PSI32RSI073	PSI38RSI073	PSI50RSI073	PSI65RSI073	PSI75RSI073
8	3"	38	88.9	PSI13RSI090	PSI19RSI090	PSI25RSI090	PSI32RSI090	PSI38RSI090	PSI50RSI090	PSI65RSI090	PSI75RSI090
9	3 1/2"	38	101.6	PSI13RSI102	PSI19RSI102	PSI25RSI102	PSI32RSI102	PSI38RSI102	PSI50RSI102	PSI65RSI102	PSI75RSI102
10	4"	38	114.3	PSI13RSI114	PSI19RSI114	PSI25RSI114	PSI32RSI114	PSI38RSI114	PSI50RSI114	PSI65RSI114	PSI75RSI114
11	5"	38	141.3	PSI13RSI141	PSI19RSI141	PSI25RSI141	PSI32RSI141	PSI38RSI141	PSI50RSI141	PSI65RSI141	PSI75RSI141
12	6"	50	168.3	PSI13RSI168	PSI19RSI168	PSI25RSI168	PSI32RSI168	PSI38RSI168	PSI50RSI168	PSI65RSI168	PSI75RSI168
13	8"	50	219.1	PSI13RSI219	PSI19RSI219	PSI25RSI219	PSI32RSI219	PSI38RSI219	PSI50RSI219	PSI65RSI219	PSI75RSI219
14	10"	50	273.1	PSI13RSI273	PSI19RSI273	PSI25RSI273	PSI32RSI273	PSI38RSI273	PSI50RSI273	PSI65RSI273	PSI75RSI273
15	12"	50	323.8	PSI13RSI323	PSI19RSI323	PSI25RSI323	PSI32RSI323	PSI38RSI323	PSI50RSI323	PSI65RSI323	PSI75RSI323
16	14"	50	355.6	PSI13RSI356	PSI19RSI356	PSI25RSI356	PSI32RSI356	PSI38RSI356	PSI50RSI356	PSI65RSI356	PSI75RSI356
17	16"	50	406.4	PSI13RSI406	PSI19RSI406	PSI25RSI406	PSI32RSI406	PSI38RSI406	PSI50RSI406	PSI65RSI406	PSI75RSI406
18	18"	50	457.2	PSI13RSI457	PSI19RSI457	PSI25RSI457	PSI32RSI457	PSI38RSI457	PSI50RSI457	PSI65RSI457	PSI75RSI457
19	20"	50	508	PSI13RSI508	PSI19RSI508	PSI25RSI508	PSI32RSI508	PSI38RSI508	PSI50RSI508	PSI65RSI508	PSI75RSI508
20	24"	50	609.6	PSI13RSI610	PSI19RSI610	PSI25RSI610	PSI32RSI610	PSI38RSI610	PSI50RSI610	PSI65RSI610	PSI75RSI610

NOTE : 1. WE ALSO MAKE ALL CLAMPS TO FIT ABOVE RSI, LIKE CLEVIS HANGER, SPRINKLER HANGER, U STRAP, U BOLTS, NUT CLAMPS & ETC.
2. NON STANDARD WIDTH ARE ALSO AVAILABLE, THE SIZES LISTED ABOVE ARE OUR STANDARD SIZES, WE ALSO MAKE CUSTOM SIZES.

SUPPORT SELECTION RSI - 13 MM THICKNESS

SIZE INCHES	PIPE OD (D) (mm)	RSI SIZE	CLAMP DIA	CLEVIS HANGER	SPLIT CLAMP	U-BOLT	U-STRAP	RISER CLAMP
1/2"	21.3	1/2" X 13mm X 25mm	47.3	PSI13RSI022CH48	PSI13RSI022SC48	PSI13RSI022UB48	PSI13RSI022US48	PSI13RSI022RC48
3/4"	26.7	3/4" X 13mm X 25mm	52.7	PSI13RSI028CH54	PSI13RSI028SC54	PSI13RSI028UB54	PSI13RSI028US54	PSI13RSI028RC54
1"	33.4	1" X 13mm X 25mm	59.4	PSI13RSI034CH60	PSI13RSI034SC60	PSI13RSI034UB60	PSI13RSI034US60	PSI13RSI034RC60
1 1/4"	42.1	1 1/4" X 13mm X 25mm	68.1	PSI13RSI042CH72	PSI13RSI042SC72	PSI13RSI042UB72	PSI13RSI042US72	PSI13RSI042RC72
1 1/2"	48.2	1 1/2" X 13mm X 25mm	74.2	PSI13RSI048CH75	PSI13RSI048SC75	PSI13RSI048UB75	PSI13RSI048US75	PSI13RSI048RC75
2"	60.3	2" X 13mm X 25mm	86.3	PSI13RSI060CH86	PSI13RSI060SC86	PSI13RSI060UB86	PSI13RSI060US86	PSI13RSI060RC86
2 1/2"	73	2 1/2" X 13mm X 38mm	99	PSI13RSI073CH100	PSI13RSI073SC100	PSI13RSI073UB100	PSI13RSI073US100	PSI13RSI073RC100
3"	88.9	3" X 13mm X 38mm	114.9	PSI13RSI090CH115	PSI13RSI090SC115	PSI13RSI090UB115	PSI13RSI090US115	PSI13RSI090RC115
3 1/2"	101.6	3 1/2" X 13mm X 38mm	127.6	PSI13RSI102CH125	PSI13RSI102SC125	PSI13RSI102UB125	PSI13RSI102US125	PSI13RSI102RC125
4"	114.3	4" X 13mm X 38mm	140.3	PSI13RSI114CH140	PSI13RSI114SC140	PSI13RSI114UB140	PSI13RSI114US140	PSI13RSI114RC140
5"	141.3	5" X 13mm X 38mm	167.3	PSI13RSI141CH168	PSI13RSI141SC168	PSI13RSI141UB168	PSI13RSI141US168	PSI13RSI141RC168
6"	168.3	6" X 13mm X 50mm	194.3	PSI13RS168CH195	PSI13RS168SC195	PSI13RS168UB195	PSI13RS168US195	PSI13RS168RC195
8"	219.1	8" X 13mm X 50mm	245.1	PSI13RS219CH245	PSI13RS219SC245	PSI13RS219UB245	PSI13RS219US245	PSI13RS219RC245

SUPPORT SELECTION RSI - 19 MM THICKNESS

SIZE INCHES	PIPE OD (D) (mm)	RSI SIZE	CLAMP DIA	CLEVIS HANGER	SPLIT CLAMP	U-BOLT	U-STRAP	RISER CLAMP
1/2"	21.3	1/2" X 19mm X 25mm	59.3	PSI19RSI022CH60	PSI19RSI022SC60	PSI19RSI022UB60	PSI19RSI022US60	PSI19RSI022RC60
3/4"	26.7	3/4" X 19mm X 25mm	64.7	PSI19RSI028CH65	PSI19RSI028SC63	PSI19RSI028UB65	PSI19RSI028US65	PSI19RSI028RC65
1"	33.4	1" X 19mm X 25mm	71.4	PSI19RSI034CH72	PSI19RSI034SC70	PSI19RSI034UB72	PSI19RSI034US72	PSI19RSI034RC72
1 1/4"	42.1	1 1/4" X 19mm X 25mm	80.1	PSI19RSI042CH80	PSI19RSI042SC80	PSI19RSI042UB80	PSI19RSI042US80	PSI19RSI042RC80
1 1/2"	48.2	1 1/2" X 19mm X 25mm	86.2	PSI19RSI048CH86	PSI19RSI048SC86	PSI19RSI048UB86	PSI19RSI048US86	PSI19RSI048RC86
2"	60.3	2" X 19mm X 25mm	98.3	PSI19RSI060CH99	PSI19RSI060SC100	PSI19RSI060UB99	PSI19RSI060US99	PSI19RSI060RC99
2 1/2"	73	2 1/2" X 19mm X 38mm	111	PSI19RSI073CH111	PSI19RSI073SC110	PSI19RSI073UB111	PSI19RSI073US111	PSI19RSI073RC111
3"	88.9	3" X 19mm X 38mm	126.9	PSI19RSI090CH127	PSI19RSI090SC125	PSI19RSI090UB127	PSI19RSI090US127	PSI19RSI090RC127
3 1/2"	101.6	3 1/2" X 19mm X 38mm	139.6	PSI19RSI102CH140	PSI19RSI102SC140	PSI19RSI102UB140	PSI19RSI102US140	PSI19RSI102RC140
4"	114.3	4" X 19mm X 38mm	152.3	PSI19RSI114CH153	PSI19RSI114SC150	PSI19RSI114UB153	PSI19RSI114US153	PSI19RSI114RC153
5"	141.3	5" X 19mm X 38mm	179.3	PSI19RSI141CH179	—	PSI19RSI141UB179	PSI19RSI141US179	PSI19RSI141RC179
6"	168.3	6" X 19mm X 50mm	206.3	PSI19RSI168CH206	—	PSI19RSI168UB206	PSI19RSI168US206	PSI19RSI168RC206
8"	219.1	8" X 19mm X 50mm	257.1	PSI19RSI219CH258	—	PSI19RSI219UB258	PSI19RSI219US258	PSI19RSI219RC258

NOTE : 1. WE ALSO MAKE ALL CLAMPS TO FIT ABOVE RSI, LIKE CLEVIS HANGER, SPRINKLER HANGER, U STRAP, U BOLTS, NUT CLAMPS & ETC.
2. NON STANDARD WIDTH ARE ALSO AVAILABLE, THE SIZES LISTED ABOVE ARE OUR STANDARD SIZES, WE ALSO MAKE CUSTOM SIZES.

PIPE HANGERS & SUPPORTS

SUPPORT SELECTION RSI - 25 MM THICKNESS

SIZE INCHES	PIPE OD (D) (mm)	RSI SIZE	CLAMP DIA	CLEVIS HANGER	SPLIT CLAMP	U-BOLT	U-STRAP	RISER CLAMP
1/2"	21.3	1/2" X 25mm X 25mm	71.3	PSI25RSI022CH72	PSI25RSI022SC70	PSI25RSI022UB72	PSI25RSI022US72	PSI25RSI022RC72
3/4"	26.7	3/4" X 25mm X 25mm	76.7	PSI25RSI028CH77	PSI25RSI028SC75	PSI25RSI028UB77	PSI25RSI028US77	PSI25RSI028RC77
1"	33.4	1" X 25mm X 25mm	83.4	PSI25RSI034CH84	PSI25RSI034SC83	PSI25RSI034UB84	PSI25RSI034US84	PSI25RSI034RC84
1 1/4"	42.1	1 1/4" X 25mm X 25mm	92.1	PSI25RSI042CH92	PSI25RSI042SC90	PSI25RSI042UB92	PSI25RSI042US92	PSI25RSI042RC92
1 1/2"	48.2	1 1/2" X 25mm X 25mm	98.2	PSI25RSI048CH98	PSI25RSI048SC100	PSI25RSI048UB98	PSI25RSI048US98	PSI25RSI048RC98
2"	60.3	2" X 25mm X 25mm	110.3	PSI25RSI060CH111	PSI25RSI060SC110	PSI25RSI060UB111	PSI25RSI060US111	PSI25RSI060RC111
2 1/2"	73	2 1/2" X 25mm X 38mm	123	PSI25RSI073CH123	PSI25RSI073SC125	PSI25RSI073UB123	PSI25RSI073US123	PSI25RSI073RC123
3"	88.9	3" X 25mm X 38mm	138.9	PSI25RSI090CH140	PSI25RSI090SC140	PSI25RSI090UB140	PSI25RSI090US140	PSI25RSI090RC140
3 1/2"	101.6	3 1/2" X 25mm X 38mm	155.6	PSI25RSI102CH153	PSI25RSI102SC150	PSI25RSI102UB153	PSI25RSI102US153	PSI25RSI102RC153
4"	114.3	4" X 25mm X 38mm	164.3	PSI25RSI114CH168	PSI25RSI114SC168	PSI25RSI114UB168	PSI25RSI114US168	PSI25RSI114RC168
5"	141.3	5" X 25mm X 38mm	191.3	PSI25RSI141CH192		PSI25RSI141UB192	PSI25RSI141US192	PSI25RSI141RC192
6"	168.3	6" X 25mm X 50mm	218.3	PSI25RSI168CH219		PSI25RSI168UB219	PSI25RSI168US219	PSI25RSI168RC219
8"	219.1	8" X 25mm X 50mm	269.1	PSI25RSI225CH269		PSI25RSI225UB269	PSI25RSI225US269	PSI25RSI225RC269
10"	273	10" X 25mm X 50mm	323.0	PSI25RSI273CH323		PSI25RSI273UB323	PSI25RSI273US323	PSI25RSI273RC323
12"	323.8	12" X 25mm X 50mm	373.8	PSI25RSI323CH374		PSI25RSI323UB374	PSI25RSI323US374	PSI25RSI323RC374
14"	355.6	14" X 25mm X 50mm	405.6	PSI25RSI356CH406		PSI25RSI356UB406	PSI25RSI356US406	PSI25RSI356RC406
16"	406.4	16" X 25mm X 50mm	456.4	PSI25RSI406CH457		PSI25RSI406UB457	PSI25RSI406US457	PSI25RSI406RC457

SUPPORT SELECTION RSI - 32 MM THICKNESS

SIZE INCHES	PIPE OD (D) (mm)	RSI SIZE	CLAMP DIA	CLEVIS HANGER	SPLIT CLAMP	U-BOLT	U-STRAP	RISER CLAMP
1/2"	21.3	1/2" X 32mm X 25mm	85.3	PSI32RSI022CH86	PSI32RSI022SC86	PSI32RSI022UB86	PSI32RSI022US86	PSI32RSI022RC86
3/4"	26.7	3/4" X 32mm X 25mm	90.7	PSI32RSI028CH90	PSI32RSI028SC90	PSI32RSI028UB90	PSI32RSI028US90	PSI32RSI028RC90
1"	33.4	1" X 32mm X 25mm	97.4	PSI32RSI034CH98	PSI32RSI034SC100	PSI32RSI034UB98	PSI32RSI034US98	PSI32RSI034RC98
1 1/4"	42.1	1 1/4" X 32mm X 25mm	106.1	PSI32RSI042CH106	PSI32RSI042SC110	PSI32RSI042UB106	PSI32RSI042US106	PSI32RSI042RC106
1 1/2"	48.2	1 1/2" X 32mm X 25mm	112.1	PSI32RSI048CH115	PSI32RSI048SC115	PSI32RSI048UB115	PSI32RSI048US115	PSI32RSI048RC115
2"	60.3	2" X 32mm X 25mm	124.3	PSI32RSI060CH125	PSI32RSI060SC125	PSI32RSI060UB125	PSI32RSI060US125	PSI32RSI060RC125
2 1/2"	73	2 1/2" X 32mm X 38mm	137	PSI32RSI073CH137	PSI32RSI073SC140	PSI32RSI073UB137	PSI32RSI073US137	PSI32RSI073RC137
3"	88.9	3" X 32mm X 38mm	152.9	PSI32RSI090CH153	PSI32RSI090SC150	PSI32RSI090UB153	PSI32RSI090US153	PSI32RSI090RC153
3 1/2"	101.6	3 1/2" X 32mm X 38mm	165.6	PSI32RSI102CH168	PSI32RSI102SC168	PSI32RSI102UB168	PSI32RSI102US168	PSI32RSI102RC168
4"	114.3	4" X 32mm X 38mm	178.3	PSI32RSI114CH179		PSI32RSI114UB179	PSI32RSI114US179	PSI32RSI114RC179
5"	141.3	5" X 32mm X 38mm	205.3	PSI32RSI141CH206		PSI32RSI141UB206	PSI32RSI141US206	PSI32RSI141RC206
6"	168.3	6" X 32mm X 50mm	232.3	PSI32RSI168CH233		PSI32RSI168UB233	PSI32RSI168US233	PSI32RSI168RC233
8"	219.1	8" X 32mm X 50mm	283.1	PSI32RSI225CH284		PSI32RSI225UB284	PSI32RSI225US284	PSI32RSI225RC284
10"	273	10" X 32mm X 50mm	337	PSI32RSI273CH337		PSI32RSI273UB337	PSI32RSI273US337	PSI32RSI273RC337
12"	323.8	12" X 32mm X 50mm	387.8	PSI32RSI323CH388		PSI32RSI323UB388	PSI32RSI323US388	PSI32RSI323RC388
14"	355.6	14" X 32mm X 50mm	419.6	PSI32RSI356CH420		PSI32RSI356UB420	PSI32RSI356US420	PSI32RSI356RC420
16"	406.4	16" X 32mm X 50mm	470.4	PSI32RSI406CH473		PSI32RSI406UB473	PSI32RSI406US473	PSI32RSI406RC473
18"	457.2	18" X 32mm X 50mm	521.2	PSI32RSI457CH522		PSI32RSI457UB522	PSI32RSI457US522	PSI32RSI457RC522
20"	508	20" X 32mm X 50mm	572	PSI32RSI508CH572		PSI32RSI508UB572	PSI32RSI508US572	PSI32RSI508RC572
24"	609.6	24" X 32mm X 50mm	673.6	PSI32RSI610CH674		PSI32RSI610UB674	PSI32RSI610US674	PSI32RSI610RC674

NOTE : 1. WE ALSO MAKE ALL CLAMPS TO FIT ABOVE RSI, LIKE CLEVIS HANGER, SPRINKLER HANGER, U STRAP, U BOLTS, NUT CLAMPS & ETC.
2. NON STANDARD WIDTH ARE ALSO AVAILABLE, THE SIZES LISTED ABOVE ARE OUR STANDARD SIZES, WE ALSO MAKE CUSTOM SIZES.

PIPE HANGERS & SUPPORTS

SUPPORT SELECTION RSI - 38 MM THICKNESS

SIZE INCHES	PIPE OD (D) (mm)	RSI SIZE	CLAMP DIA	CLEVIS HANGER	SPLIT CLAMP	U-BOLT	U-STRAP	RISER CLAMP
1/2"	21.3	1/2" X 38mm X 25mm	97.3	PSI38RSI022CH98	PSI38RSI022SC100	PSI38RSI022UB98	PSI38RSI022US98	PSI38RSI022RC98
3/4"	26.7	3/4" X 38mm X 25mm	102.7	PSI38RSI028CH103	PSI38RSI028SC103	PSI38RSI028UB103	PSI38RSI028US103	PSI38RSI028RC103
1"	33.4	1" X 38mm X 25mm	109.4	PSI38RSI034CH110	PSI38RSI034SC110	PSI38RSI034UB110	PSI38RSI034US110	PSI38RSI034RC110
1 1/4"	42.1	1 1/4" X 38mm X 25mm	118.1	PSI38RSI042CH120	PSI38RSI042SC115	PSI38RSI042UB120	PSI38RSI042US120	PSI38RSI042RC120
1 1/2"	48.2	1 1/2" X 38mm X 25mm	124.2	PSI38RSI048CH125	PSI38RSI048SC125	PSI38RSI048UB125	PSI38RSI048US125	PSI38RSI048RC125
2"	60.3	2" X 38mm X 25mm	136.3	PSI38RSI060CH137	PSI38RSI060SC140	PSI38RSI060UB137	PSI38RSI060US137	PSI38RSI060RC137
2 1/2"	73	2 1/2" X 38mm X 38mm	149	PSI38RSI073CH148	PSI38RSI073SC150	PSI38RSI073UB148	PSI38RSI073US148	PSI38RSI073RC148
3"	88.9	3" X 38mm X 38mm	164.9	PSI38RSI090CH165	PSI38RSI090SC168	PSI38RSI090UB165	PSI38RSI090US165	PSI38RSI090RC165
3 1/2"	101.6	3 1/2" X 38mm X 38mm	177.6	PSI38RSI102CH179		PSI38RSI102UB179	PSI38RSI102US179	PSI38RSI102RC179
4"	114.3	4" X 38mm X 38mm	190.3	PSI38RSI114CH192		PSI38RSI114UB192	PSI38RSI114US192	PSI38RSI114RC192
5"	141.3	5" X 38mm X 38mm	217.3	PSI38RSI141CH219		PSI38RSI141UB219	PSI38RSI141US219	PSI38RSI141RC219
6"	168.3	6" X 38mm X 50mm	244.3	PSI38RSI168CH245		PSI38RSI168UB245	PSI38RSI168US245	PSI38RSI168RC245
8"	219.1	8" X 38mm X 50mm	295.1	PSI38RSI225CH295		PSI38RSI225UB295	PSI38RSI225US295	PSI38RSI225RC295
10"	273	10" X 38mm X 50mm	349	PSI38RSI273CH349		PSI38RSI273UB349	PSI38RSI273US349	PSI38RSI273RC349
12"	323.8	12" X 38mm X 50mm	399.8	PSI38RSI323CH400		PSI38RSI323UB400	PSI38RSI323US400	PSI38RSI323RC400
14"	355.6	14" X 38mm X 50mm	431.6	PSI38RSI356CH432		PSI38RSI356UB432	PSI38RSI356US432	PSI38RSI356RC432
16"	406.4	16" X 38mm X 50mm	482.4	PSI38RSI406CH486		PSI38RSI406UB486	PSI38RSI406US486	PSI38RSI406RC486
18"	457.2	18" X 38mm X 50mm	533.2	PSI38RSI457CH534		PSI38RSI457UB534	PSI38RSI457US534	PSI38RSI457RC534
20"	508	20" X 38mm X 50mm	584	PSI38RSI508CH584		PSI38RSI508UB584	PSI38RSI508US584	PSI38RSI508RC584
24"	609.6	24" X 38mm X 50mm	685.6	PSI38RSI609CH686		PSI38RSI609UB686	PSI38RSI609US686	PSI38RSI609RC686

SUPPORT SELECTION RSI - 50 MM THICKNESS

SIZE INCHES	PIPE OD (D) (mm)	RSI SIZE	CLAMP DIA	CLEVIS HANGER	SPLIT CLAMP	U-BOLT	U-STRAP	RISER CLAMP
1/2"	21.3	1/2" X 50mm X 25mm	121.3	PSI50RSI022CH122	PSI50RSI022SC120	PSI50RSI022UB122	PSI50RSI022US122	PSI50RSI022RC122
3/4"	26.7	3/4" X 50mm X 25mm	126.7	PSI50RSI028CH127	PSI50RSI028SC125	PSI50RSI028UB127	PSI50RSI028US127	PSI50RSI028RC127
1"	33.4	1" X 50mm X 25mm	133.4	PSI50RSI034CH137	PSI50RSI034SC133	PSI50RSI034UB137	PSI50RSI034US137	PSI50RSI034RC137
1 1/4"	42.1	1 1/4" X 50mm X 25mm	142.1	PSI50RSI042CH140	PSI50RSI042SC140	PSI50RSI042UB140	PSI50RSI042US140	PSI50RSI042RC140
1 1/2"	48.2	1 1/2" X 50mm X 25mm	148.2	PSI50RSI048CH148	PSI50RSI048SC150	PSI50RSI048UB148	PSI50RSI048US148	PSI50RSI048RC148
2"	60.3	2" X 50mm X 25mm	160.3	PSI50RSI060CH160	PSI50RSI060SC160	PSI50RSI060UB160	PSI50RSI060US160	PSI50RSI060RC160
2 1/2"	73	2 1/2" X 50mm X 38mm	173	PSI50RSI073CH173		PSI50RSI073UB173	PSI50RSI073US173	PSI50RSI073RC173
3"	88.9	3" X 50mm X 38mm	188.9	PSI50RSI090CH191		PSI50RSI090UB191	PSI50RSI090US191	PSI50RSI090RC191
3 1/2"	101.6	3 1/2" X 50mm X 38mm	201.6	PSI50RSI102CH202		PSI50RSI102UB202	PSI50RSI102US202	PSI50RSI102RC202
4"	114.3	4" X 50mm X 38mm	214.3	PSI50RSI114CH215		PSI50RSI114UB215	PSI50RSI114US215	PSI50RSI114RC215
5"	141.3	5" X 50mm X 38mm	241.3	PSI50RSI141CH242		PSI50RSI141UB242	PSI50RSI141US242	PSI50RSI141RC242
6"	168.3	6" X 50mm X 50mm	268.3	PSI50RSI168CH269		PSI50RSI168UB269	PSI50RSI168US269	PSI50RSI168RC269
8"	219.1	8" X 50mm X 50mm	319.1	PSI50RSI225CH320		PSI50RSI225UB320	PSI50RSI225US320	PSI50RSI225RC320
10"	273	10" X 50mm X 50mm	373	PSI50RSI273CH374		PSI50RSI273UB374	PSI50RSI273US374	PSI50RSI273RC374
12"	323.8	12" X 50mm X 50mm	423.8	PSI50RSI323CH424		PSI50RSI323UB424	PSI50RSI323US424	PSI50RSI323RC424
14"	355.6	14" X 50mm X 50mm	455.6	PSI50RSI356CH456		PSI50RSI356UB456	PSI50RSI356US456	PSI50RSI356RC456
16"	406.4	16" X 50mm X 50mm	506.4	PSI50RSI406CH506		PSI50RSI406UB506	PSI50RSI406US506	PSI50RSI406RC506
18"	457.2	18" X 50mm X 50mm	557.2	PSI50RSI457CH558		PSI50RSI457UB558	PSI50RSI457US558	PSI50RSI457RC558
20"	508	20" X 50mm X 50mm	608	PSI50RSI508CH608		PSI50RSI508UB608	PSI50RSI508US608	PSI50RSI508RC608
24"	609.6	24" X 50mm X 50mm	709.6	PSI50RSI609CH710		PSI50RSI609UB710	PSI50RSI609US710	PSI50RSI609RC710

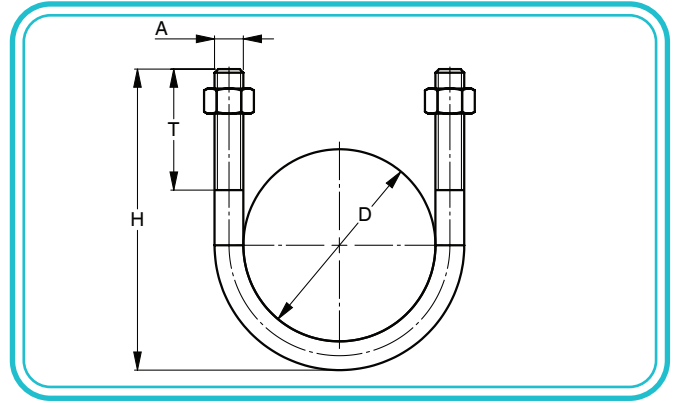
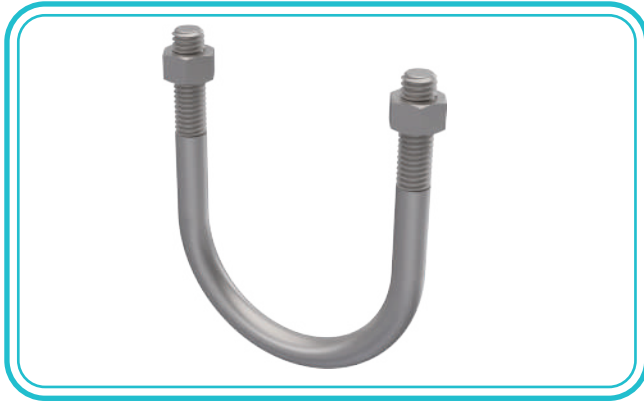
SUPPORT SELECTION RSI - 65 MM THICKNESS

SIZE INCHES	PIPE OD (D) (mm)	RSI SIZE	CLAMP DIA	CLEVIS HANGER	SPLIT CLAMP	U-BOLT	U-STRAP	RISER CLAMP
1/2"	21.3	1/2" X 65mm X 25mm	151.3	PSI65RSI022CH152	PSI65RSI022SC150	PSI65RSI022UB152	PSI65RSI022US152	PSI65RSI022RC152
3/4"	26.7	3/4" X 65mm X 25mm	156.7	PSI65RSI028CH157	PSI65RSI028SC160	PSI65RSI028UB157	PSI65RSI028US157	PSI65RSI028RC157
1"	33.4	1" X 65mm X 25mm	163.4	PSI65RSI034CH165	PSI65RSI034SC168	PSI65RSI034UB165	PSI65RSI034US165	PSI65RSI034RC165
1 1/4"	42.1	1 1/4" X 65mm X 25mm	172.1	PSI65RSI042CH172		PSI65RSI042UB172	PSI65RSI042US172	PSI65RSI042RC172
1 1/2"	48.2	1 1/2" X 65mm X 25mm	178.2	PSI65RSI048CH178		PSI65RSI048UB178	PSI65RSI048US178	PSI65RSI048RC178
2"	60.3	2" X 65mm X 25mm	190.3	PSI65RSI060CH191		PSI65RSI060UB191	PSI65RSI060US191	PSI65RSI060RC191
2 1/2"	73	2 1/2" X 65mm X 38mm	203	PSI65RSI073CH203		PSI65RSI073UB203	PSI65RSI073US203	PSI65RSI073RC203
3"	88.9	3" X 65mm X 38mm	218.9	PSI65RSI090CH219		PSI65RSI090UB219	PSI65RSI090US219	PSI65RSI090RC219
3 1/2"	101.6	3 1/2" X 65mm X 38mm	231.6	PSI65RSI102CH232		PSI65RSI102UB232	PSI65RSI102US232	PSI65RSI102RC232
4"	114.3	4" X 65mm X 38mm	244.3	PSI65RSI114CH245		PSI65RSI114UB245	PSI65RSI114US245	PSI65RSI114RC245
5"	141.3	5" X 65mm X 38mm	271.3	PSI65RSI141CH272		PSI65RSI141UB272	PSI65RSI141US272	PSI65RSI141RC272
6"	168.3	6" X 65mm X 50mm	398.3	PSI65RSI168CH299		PSI65RSI168UB299	PSI65RSI168US299	PSI65RSI168RC299
8"	219.1	8" X 65mm X 50mm	349.1	PSI65RSI225CH350		PSI65RSI225UB350	PSI65RSI225US350	PSI65RSI225RC350
10"	273	10" X 65mm X 50mm	403	PSI65RSI273CH404		PSI65RSI273UB404	PSI65RSI273US404	PSI65RSI273RC404
12"	323.8	12" X 65mm X 50mm	453.8	PSI65RSI323CH454		PSI65RSI323UB454	PSI65RSI323US454	PSI65RSI323RC454
14"	355.6	14" X 65mm X 50mm	485.6	PSI65RSI356CH486		PSI65RSI356UB486	PSI65RSI356US486	PSI65RSI356RC486
16"	406.4	16" X 65mm X 50mm	536.4	PSI65RSI406CH537		PSI65RSI406UB537	PSI65RSI406US537	PSI65RSI406RC537
18"	457.2	18" X 65mm X 50mm	587.2	PSI65RSI457CH588		PSI65RSI457UB588	PSI65RSI457US588	PSI65RSI457RC588
20"	508	20" X 65mm X 50mm	638	PSI65RSI508CH639		PSI65RSI508UB639	PSI65RSI508US639	PSI65RSI508RC639
24"	609.6	24" X 65mm X 50mm	739.6	PSI65RSI609CH740		PSI65RSI609UB740	PSI65RSI609US740	PSI65RSI609RC740

SUPPORT SELECTION RSI - 75 MM THICKNESS

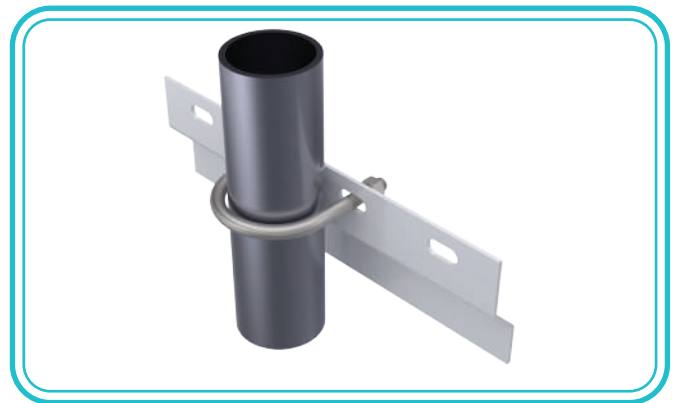
SIZE INCHES	PIPE OD (D) (mm)	RSI SIZE	CLAMP DIA	CLEVIS HANGER	SPLIT CLAMP	U-BOLT	U-STRAP	RISER CLAMP
1/2"	21.3	1/2" X 75mm X 25mm	171.3	PSI75RSI022CH172		PSI75RSI022UB172	PSI75RSI022US172	PSI75RSI022RC172
3/4"	26.7	3/4" X 75mm X 25mm	176.7	PSI75RSI028CH177		PSI75RSI028UB177	PSI75RSI028US177	PSI75RSI028RC177
1"	33.4	1" X 75mm X 25mm	183.4	PSI75RSI034CH184		PSI75RSI034UB184	PSI75RSI034US184	PSI75RSI034RC184
1 1/4"	42.1	1 1/4" X 75mm X 25mm	192.1	PSI75RSI042CH193		PSI75RSI042UB193	PSI75RSI042US193	PSI75RSI042RC193
1 1/2"	48.2	1 1/2" X 75mm X 25mm	198.2	PSI75RSI048CH199		PSI75RSI048UB199	PSI75RSI048US199	PSI75RSI048RC199
2"	60.3	2" X 75mm X 25mm	210.3	PSI75RSI060CH211		PSI75RSI060UB211	PSI75RSI060US211	PSI75RSI060RC211
2 1/2"	73	2 1/2" X 75mm X 38mm	223	PSI75RSI073CH223		PSI75RSI073UB223	PSI75RSI073US223	PSI75RSI073RC223
3"	88.9	3" X 75mm X 38mm	238.9	PSI75RSI090CH239		PSI75RSI090UB239	PSI75RSI090US239	PSI75RSI090RC239
3 1/2"	101.6	3 1/2" X 75mm X 38mm	251.6	PSI75RSI102CH252		PSI75RSI102UB252	PSI75RSI102US252	PSI75RSI102RC252
4"	114.3	4" X 75mm X 38mm	264.3	PSI75RSI114CH265		PSI75RSI114UB265	PSI75RSI114US265	PSI75RSI114RC265
5"	141.3	5" X 75mm X 38mm	291.3	PSI75RSI141CH295		PSI75RSI141UB295	PSI75RSI141US295	PSI75RSI141RC295
6"	168.3	6" X 75mm X 50mm	318.3	PSI75RSI168CH320		PSI75RSI168UB320	PSI75RSI168US320	PSI75RSI168RC320
8"	219.1	8" X 75mm X 50mm	369.1	PSI75RSI225CH369		PSI75RSI225UB369	PSI75RSI225US369	PSI75RSI225RC369
10"	273	10" X 75mm X 50mm	423	PSI75RSI273CH424		PSI75RSI273UB424	PSI75RSI273US424	PSI75RSI273RC424
12"	323.8	12" X 75mm X 50mm	473.8	PSI75RSI323CH473		PSI75RSI323UB473	PSI75RSI323US473	PSI75RSI323RC473
14"	355.6	14" X 75mm X 50mm	505.6	PSI75RSI356CH508		PSI75RSI356UB508	PSI75RSI356US508	PSI75RSI356RC508
16"	406.4	16" X 75mm X 50mm	556.4	PSI75RSI406CH558		PSI75RSI406UB558	PSI75RSI406US558	PSI75RSI406RC558
18"	457.2	18" X 75mm X 50mm	607.2	PSI75RSI457CH608		PSI75RSI457UB608	PSI75RSI457US608	PSI75RSI457RC608
20"	508	20" X 75mm X 50mm	658	PSI75RSI508CH660		PSI75RSI508UB660	PSI75RSI508US660	PSI75RSI508RC660
24"	609.6	24" X 75mm X 50mm	756	PSI75RSI609CH756		PSI75RSI609UB756	PSI75RSI609US756	PSI75RSI609RC756

U BOLT



FEATURES AND BENEFITS

Description	<ul style="list-style-type: none"> • High load capacity due to one piece design • Special U bolts with longer tangents and threads available on request.
Material	<ul style="list-style-type: none"> • Steel, other materials on request.
Specification	<ul style="list-style-type: none"> • Electro galvanized as per ASTM B 633. • Galvanised as per ASTM A 123 / A123 M • Designed to meet MSS Standard SP-58-2002, type 8 and SP-69.

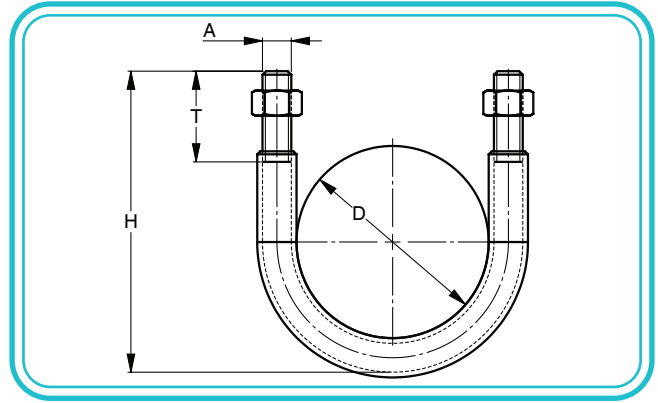


PRODUCT CODE	NOMINAL INCHES	PIPE SIZE (mm)	D (mm)	ROD SIZE (A) mm	HEIGHT (H) mm	THREAD LENGTH (T) mm	MAX. LOAD (N)
PSI-UB-022	1/2"	DN15	21.3	M10	65	50	6000
PSI-UB-028	3/4"	DN20	26.7	M10	77	50	6000
PSI-UB-035	1"	DN25	33.4	M10	85	50	6000
PSI-UB-042	1 1/4"	DN32	42.1	M10	93	50	6000
PSI-UB-048	1 1/2"	DN40	43.2	M10	100	50	6000
PSI-UB-060	2"	DN50	60.3	M10	110	50	6000
PSI-UB-075	2 1/2"	DN65	73	M12	127	50	10000
PSI-UB-090	3"	DN80	88.9	M12	140	50	10000
PSI-UB-110	4"	DN100	114.3	M12	165	50	10000
PSI-UB-140	5"	DN125	141.3	M12	190	50	10000
PSI-UB-168	6"	DN150	1638.3	M12	220	50	10000
PSI-UB-219	8"	DN200	219.1	M16	295	75	20000
PSI-UB-273	10"	DN250	273	M20	370	100	32500
PSI-UB-324	12"	DN300	323.8	M20	420	100	32500
PSI-UB-355	14"	DN350	355.6	M20	455	100	32500
PSI-UB-406	16"	DN400	406.4	M20	505	100	32500
PSI-UB-457	18"	DN450	457.2	M24	355	100	45000
PSI-UB-508	20"	DN500	508.2	M24	605	100	45000
PSI-UB-610	24"	DN600	609.6	M24	710	100	45000

NOTES :

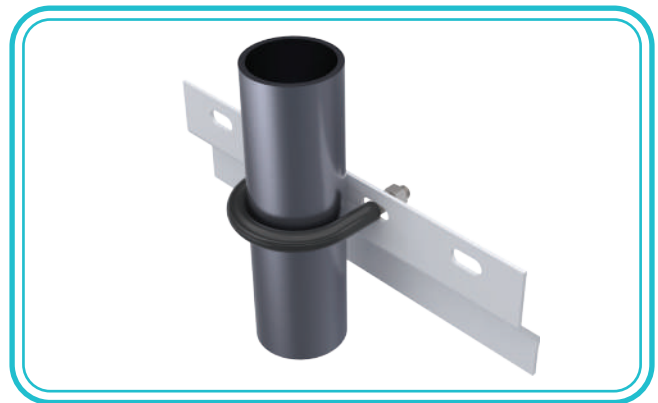
- SIZES OF THE U BOLTS CAN BE MODIFIED TO BE USED WITH RUBBER SUPPORT INSERTS.
- ALTERNATE ROD SIZES FOR DIFFERENT PIPE SIZES AVAILABLE ON REQUEST.
- (a) EP - MICRONS : 8μ - 15μ (b) HDG - MICRONS : 70μ - 95μ

U BOLT WITH EPDM LINING



FEATURES AND BENEFITS

Description	<ul style="list-style-type: none"> • For mounting plain or insulated pipes • Can be used with Rubber Support Inserts • Slotted hole same as used U strap
Material	<ul style="list-style-type: none"> • Steel, other materials on request.
Specification	<ul style="list-style-type: none"> • Electro galvanized as per ASTM B 633. • Designed to meet MSS Standard SP-58-2002, type 8 and SP-69. • Temperature resistance from 20°C to +110°C • Noise insulating lining, EPDM, black. • Noise reduction up to 18dB (A).

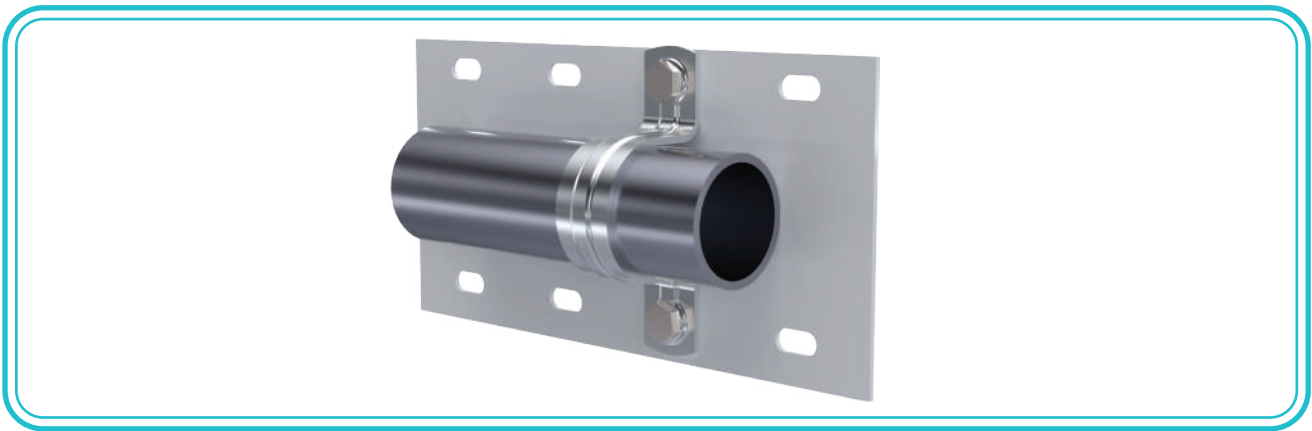
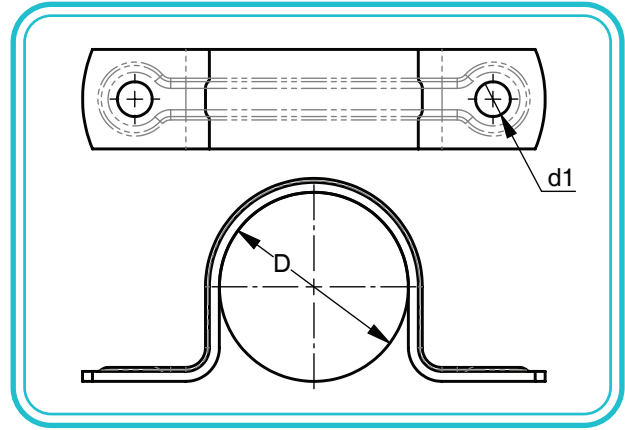
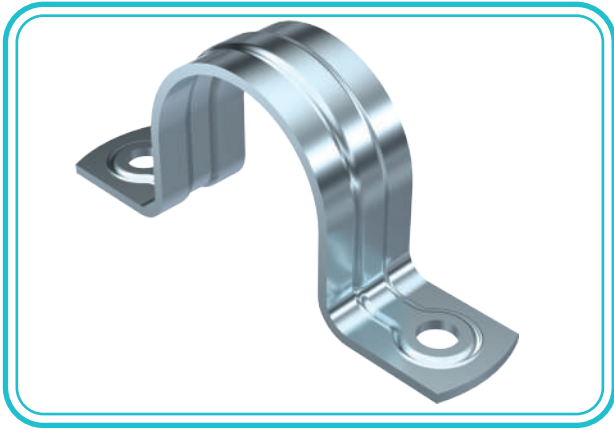


PRODUCT CODE	NOMINAL INCHES	PIPE SIZE (mm)	PIPE OD (D) (mm)	ROD SIZE (A) mm	HEIGHT (H) mm	THREAD LENGTH (T) mm	MAX. LOAD (N)	MICRONS (μ)
PSI-UBR-022	1/2"	DN15	21.3	M10	65	50	6000	8-15
PSI-UBR-028	3/4"	DN20	26.7	M10	77	50	6000	8-15
PSI-UBR-035	1"	DN25	33.4	M10	85	50	6000	8-15
PSI-UBR-042	1 1/4"	DN32	42.1	M10	93	50	6000	8-15
PSI-UBR-048	1 1/2"	DN40	43.2	M10	100	50	6000	8-15
PSI-UBR-060	2"	DN50	60.3	M10	110	50	6000	8-15
PSI-UBR-075	2 1/5"	DN65	73	M12	127	50	10000	8-15
PSI-UBR-090	3"	DN80	88.9	M12	140	50	10000	8-15
PSI-UBR-110	4"	DN100	114.3	M12	165	50	10000	8-15
PSI-UBR-140	5"	DN125	141.3	M12	190	50	10000	8-15
PSI-UBR-168	6"	DN150	163.3	M12	220	50	10000	8-15
PSI-UBR-219	8"	DN200	219.1	M16	295	75	20000	8-15
PSI-UBR-273	10"	DN250	273	M20	370	100	32500	8-15
PSI-UBR-323	12"	DN300	323.8	M20	420	100	32500	8-15
PSI-UBR-355	14"	DN350	355.6	M20	455	100	32500	8-15
PSI-UBR-406	16"	DN400	406.4	M20	505	100	32500	8-15
PSI-UBR-457	18"	DN450	457.2	M24	355	100	45000	8-15
PSI-UBR-508	20"	DN500	508.2	M24	605	100	45000	8-15
PSI-UBR-610	24"	DN600	609.6	M24	710	100	45000	8-15

NOTE :

- ALTERNATE ROD SIZES FOR DIFFERENT PIPE SIZES AVAILABLE ON REQUEST.

HEAVY SADDLE



FEATURES AND BENEFITS

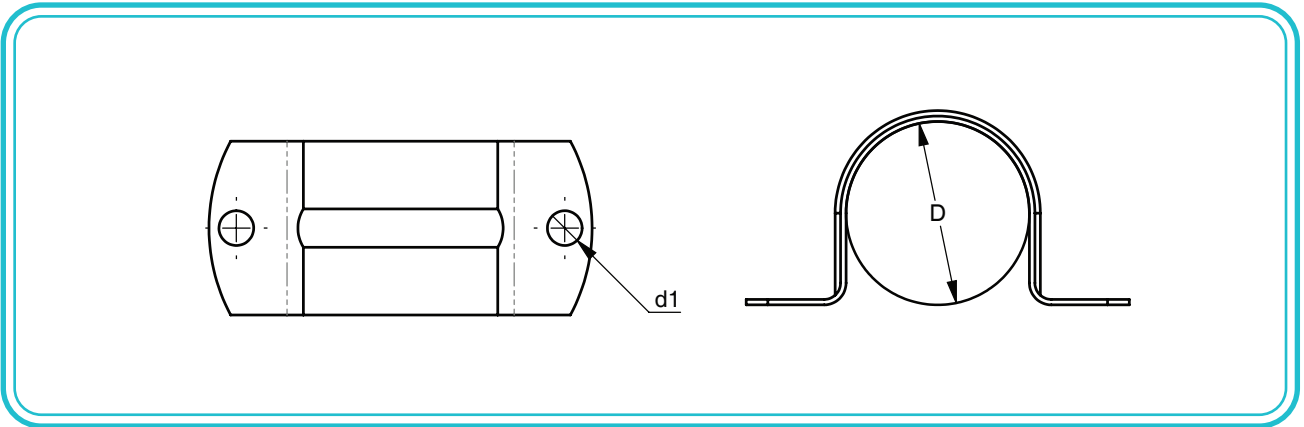
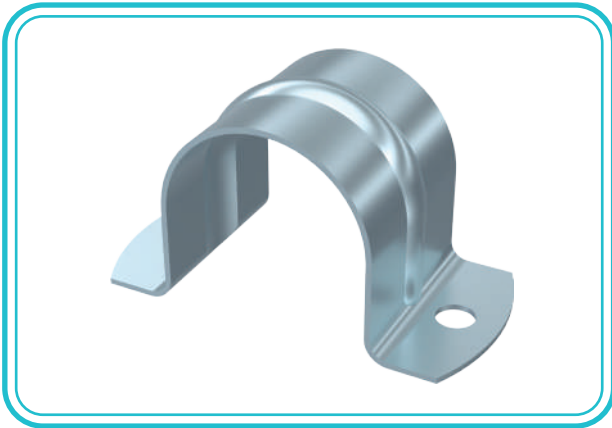
Description	<ul style="list-style-type: none"> • For mounting plain or insulated pipes • Corner locking and better gripping of electrical conduits. • Easy to install because of light weight • Maximum temperature : 343°C (650°F)
Material	<ul style="list-style-type: none"> • Steel, other materials on request.
Specification	<ul style="list-style-type: none"> • Electro galvanized as per ASTM B 633. • Designed to meet MSS Standard SP-58-2002, type 8 and SP-69.

PRODUCT CODE	NOMINAL INCHES	PIPE SIZE (mm)	D (mm)	d1 mm	MAX. LOAD (N)	MICRONS (μ)
PSI-HS-28	3/4"	DN20	26.7	M6	1250	8-15
PSI-HS-35	1"	DN25	33.4	M6	1250	8-15
PSI-HS-42	1 1/4"	DN32	42.1	M6	1250	8-15
PSI-HS-48	1 1/2"	DN40	43.2	M6	1250	8-15
PSI-HS-60	2"	DN50	60.3	M6	1250	8-15
PSI-HS-73	2 1/2"	DN65	73	M6	1250	8-15
PSI-HS-90	3"	DN80	88.9	M6	1250	8-15
PSI-HS-115	4"	DN100	114.3	M6	1250	8-15
PSI-HS-140	5"	DN125	141.3	M6	1250	8-15
PSI-HS-168	6"	DN150	168.3	M6	1250	8-15

NOTE :

- OTHER DIMENSIONS AVAILABLE ON REQUEST.

LIGHT SADDLE



FEATURES AND BENEFITS

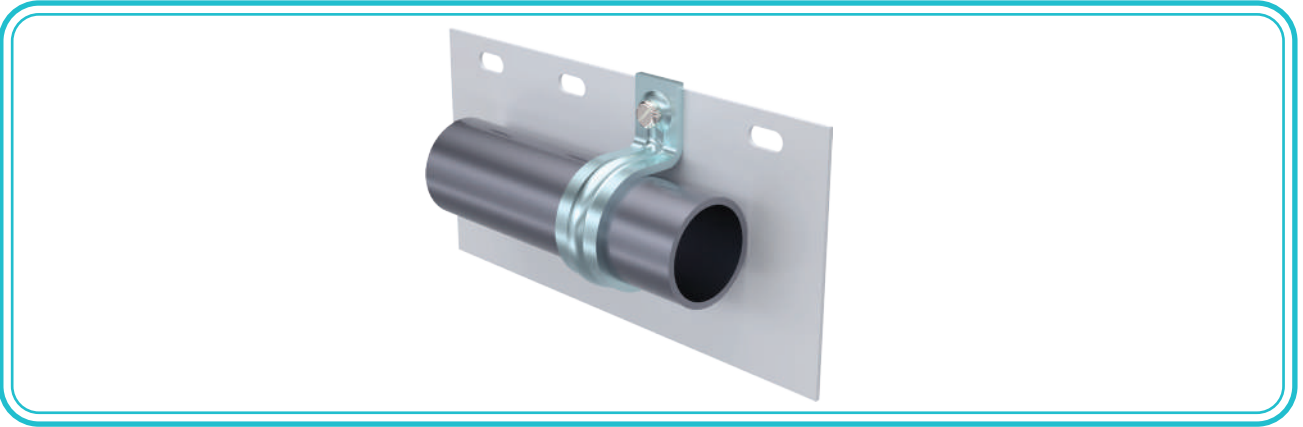
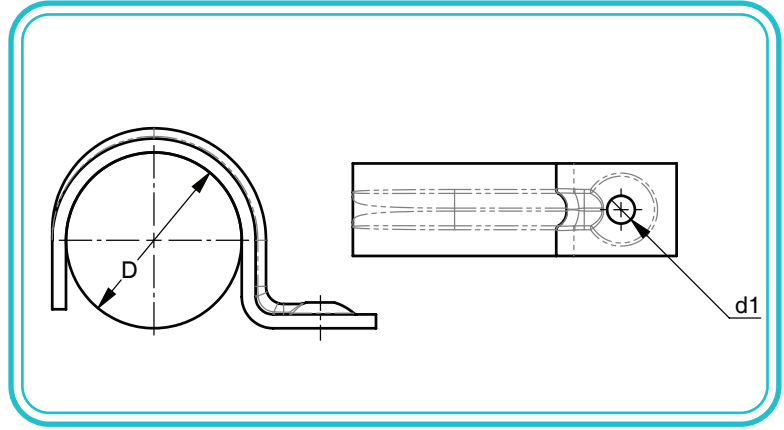
Description	<ul style="list-style-type: none"> It is recommended for supporting a piping system with vertically or horizontally to walls or ceilings. Easy to install because of light weight Maximum temperature : 343°C (650°F)
Material	<ul style="list-style-type: none"> Steel, other materials on request.
Specification	<ul style="list-style-type: none"> Electro galvanized as per ASTM B 633. Designed to meet MSS Standard SP-58-2002, type 8 and SP-69.

PRODUCT CODE	NOMINAL INCHES	PIPE SIZE (mm)	D (mm)	d1 mm	MICRONS (μ)	MAX. LOAD (N)
PSI-LS-022	1/2"	DN15	21.3	M6.2	8-15	500
PSI-LS-028	3/4"	DN20	26.7	M6.2	8-15	500
PSI-LS-035	1"	DN25	33.4	M6.2	8-15	500
PSI-LS-040	1 1/4"	DN32	42.1	M6.2	8-15	500
PSI-LS-048	1 1/2"	DN40	43.2	M6.2	8-15	500
PSI-LS-060	2"	DN50	60.3	M6.2	8-15	500
PSI-LS-075	2 1/2"	DN65	73	M6.2	8-15	500
PSI-LS-090	3"	DN80	88.9	M6.2	8-15	500
PSI-LS-115	4"	DN100	114.3	M6.2	8-15	500

NOTE :

- OTHER DIMENSIONS AVAILABLE ON REQUEST.

HALF SADDLE



FEATURES AND BENEFITS

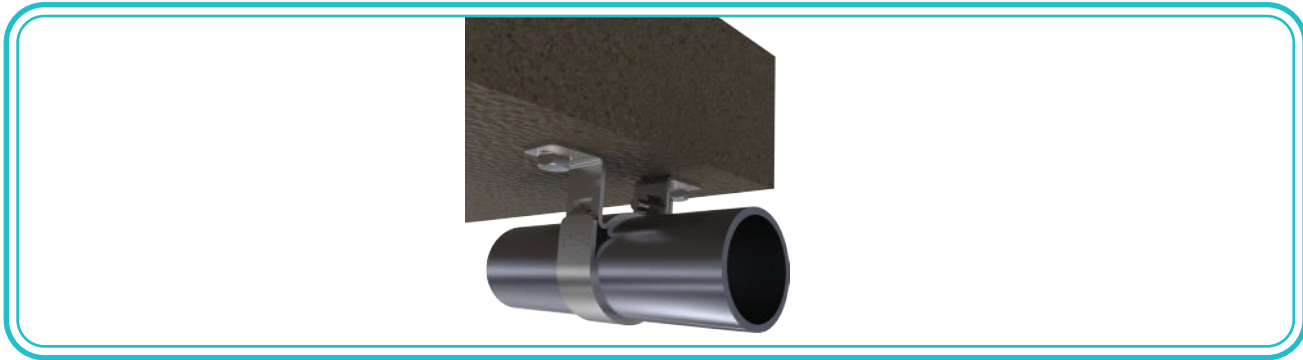
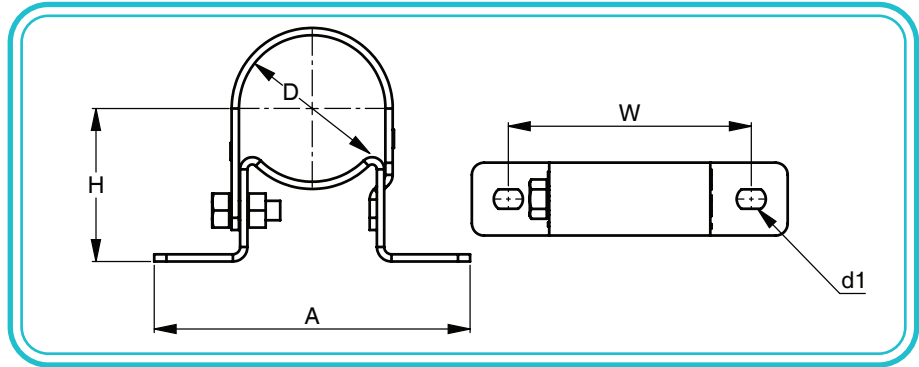
Description	<ul style="list-style-type: none"> Recommended for support of standard conduit, cable and steel pipe on walls or sides of beams. Not recommended to use horizontally on ceilings, bottoms safety of beams and similar installations since the factor of is greatly reduced when so used. Maximum temperature : 343°C (650°F).
Material	<ul style="list-style-type: none"> Steel, other materials on request.
Specification	<ul style="list-style-type: none"> Electro galvanized as per ASTM B 633. Designed to meet MSS Standard SP-58-2002, type 8 and SP-69.

PRODUCT CODE	NOMINAL INCHES	PIPE SIZE (mm)	D (mm)	d1 mm	MAX. LOAD (N)	MICRONS (μ)
PSI-HFS-022	1/2"	DN15	21.3	M6.2	1250	8-15
PSI-HFS-028	3/4"	DN20	26.7	M6.2	1250	8-15
PSI-HFS-035	1"	DN25	33.4	M6.2	1250	8-15
PSI-HFS-042	1 1/4"	DN32	42.1	M6.2	1250	8-15
PSI-HFS-038	1 1/2"	DN40	43.2	M6.2	1250	8-15
PSI-HFS-060	2"	DN50	60.3	M6.2	1250	8-15

NOTE :

- OTHER DIMENSIONS AVAILABLE ON REQUEST.

OFFSET CLAMP



FEATURES AND BENEFITS

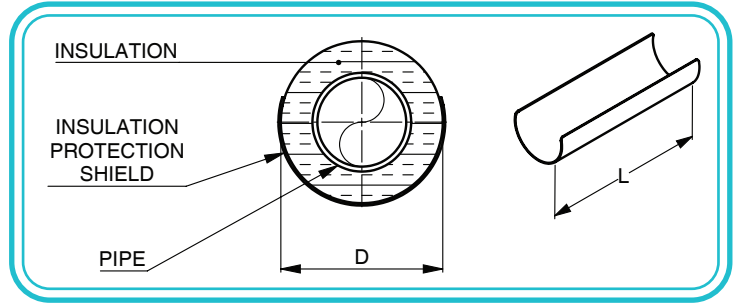
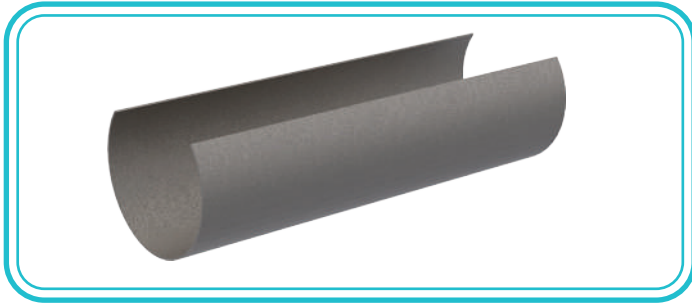
Description	<ul style="list-style-type: none"> Recommended for support of pipe lines running at a definite distance from the wall or structure. Used where removing and installing of pipe is done periodically.
Material	<ul style="list-style-type: none"> Steel, other materials on request.
Specification	<ul style="list-style-type: none"> Electro galvanized as per ASTM B 633. Designed to meet MSS Standard SP-58-2002, type 8 and SP-69.

PRODUCT CODE	NOMINAL INCHES	PIPE SIZE (mm)	D (mm)	A mm	(W) mm	(H) mm	BOLT SIZE	MICRONS (μ)	MAX. LOAD (N)
PSI-OC-028	3/4"	DN20	26.7	87	57	83	M8	8-15	834
PSI-OC-035	1"	DN25	33.4	94	64	83	M8	8-15	834
PSI-OC-040	1 1/4"	DN32	42.1	102	72	83	M8	8-15	834
PSI-OC-048	1 1/2"	DN40	43.2	108	78	83	M8	8-15	1079
PSI-OC-054	54 mm	--	54	114	84	83	M8	8-15	1128
PSI-OC-060	2"	DN50	60.3	120	90	83	M8	8-15	1472
PSI-OC-075	2 1/2"	DN65	73	133	103	113	M8	8-15	1766
PSI-OC-082	83 mm	--	83	143	113	113	M8	8-15	1864
PSI-OC-090	3"	DN80	88.9	150	120	113	M8	8-15	1962
PSI-OC-110	110 mm	--	110	170	140	113	M8	8-15	2109
PSI-OC-115	4"	DN100	114.3	174	144	113	M8	8-15	2453
PSI-OC-140	5"	DN125	141.3	201	171	138	M10	8-15	2943
PSI-OC-160	160 mm	--	160	220	190	138	M10	8-15	3434
PSI-OC-168	6"	DN150	168.3	228	198	138	M10	8-15	3679
PSI-OC-219	8"	DN200	219.1	279	249	168	M12	8-15	3924

NOTE :

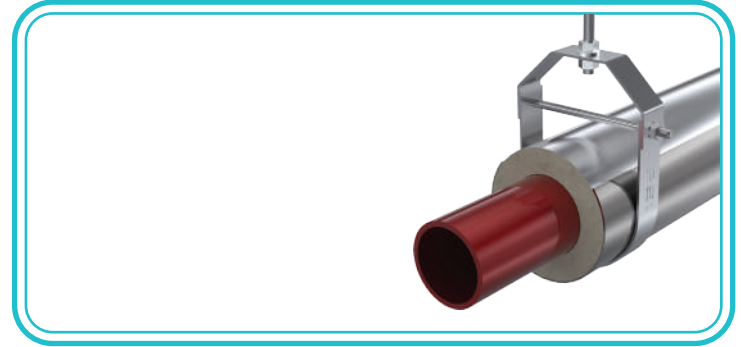
- OTHER DIMENSIONS AVAILABLE ON REQUEST.

PIPE PROTECTION SHIELD



FEATURES AND BENEFITS

Description	<ul style="list-style-type: none"> Used between hanger surface and to prevent crushing of insulation Ideal for protecting pipe insulation.
Material	<ul style="list-style-type: none"> Steel
Specification	<ul style="list-style-type: none"> Electro galvanized as per ASTM B 633. Galvanised as per ASTM A 123 / A123 M Designed to meet MSS Standard SP-58-2002, type 8 and SP-69.



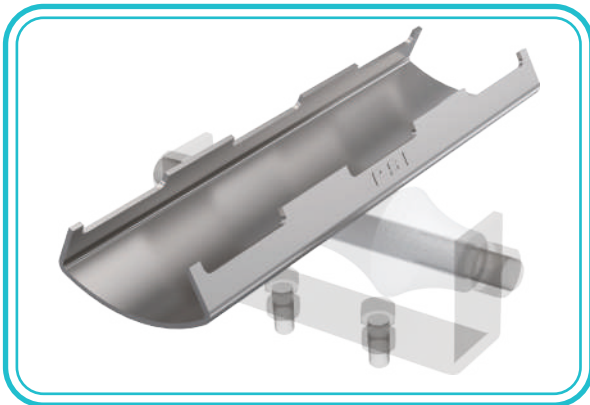
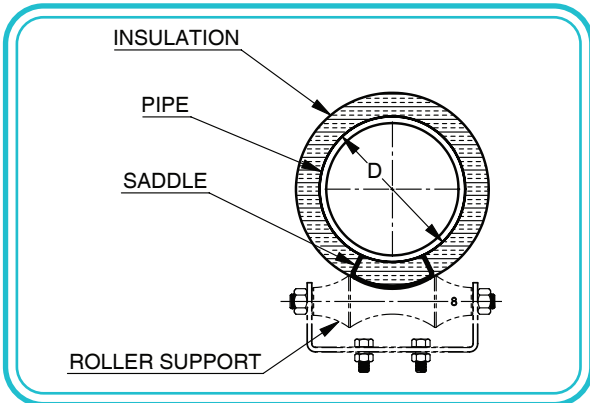
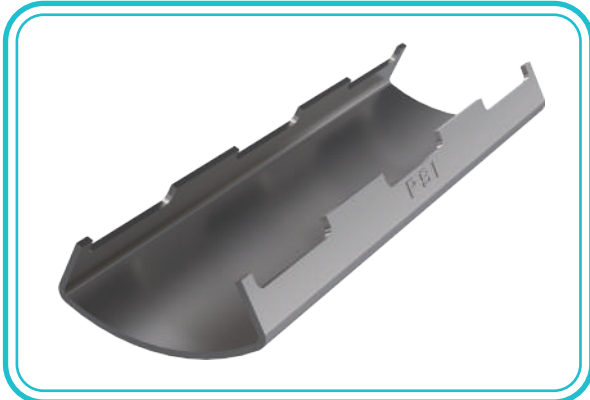
PRODUCT CODE	NOMINAL INCHES	PIPE SIZE (mm)	PIPE OD(D) (mm)	INSULATION mm
PSI-PPS-035-25	1"	DN 25	33.4	25
PSI-PPS-035-32	1"	DN 25	33.4	32
PSI-PPS-035-50	1"	DN 25	33.4	50
PSI-PPS-042-35	1 1/4"	DN 32	42.2	25
PSI-PPS-035-32	1 1/4"	DN 32	42.2	32
PSI-PPS-035-50	1 1/4"	DN 32	42.2	50
PSI-PPS-048-25	1 1/2"	DN 40	48.3	25
PSI-PPS-035-32	1 1/2"	DN 40	48.3	32
PSI-PPS-035-50	1 1/2"	DN 40	48.3	50
PSI-PPS-060-25	2"	DN 50	60.3	25
PSI-PPS-060-32	2"	DN 50	60.3	32
PSI-PPS-060-50	2"	DN 50	60.3	50
PSI-PPS-073-25	2 1/2"	DN 65	73	25
PSI-PPS-073-32	2 1/2"	DN 65	73	32
PSI-PPS-073-50	2 1/2"	DN 65	73	50
PSI-PPS-090-25	3"	DN 80	88.9	25
PSI-PPS-090-32	3"	DN 80	88.9	32
PSI-PPS-090-50	3"	DN 80	88.9	50
PSI-PPS-115-3	4"	DN 100	114.3	25
PSI-PPS-115-32	4"	DN 100	114.3	25
PSI-PPS-115-50	4"	DN 100	114.3	50
PSI-PPS-140-25	5"	DN 125	141.3	25
PSI-PPS-140-32	5"	DN 125	141.3	32
PSI-PPS-140-50	5"	DN 125	141.3	50
PSI-PPS-168-25	6"	DN 150	168.3	25
PSI-PPS-168-32	6"	DN 150	168.3	32
PSI-PPS-168-50	6"	DN 150	168.3	50
PSI-PPS-219-25	8"	DN 200	219.1	25
PSI-PPS-219-32	8"	DN 200	219.1	32
PSI-PPS-219-50	8"	DN 200	219.1	50
PSI-PPS-273-25	10"	DN 250	273.1	25
PSI-PPS-273-32	10"	DN 250	273.1	32
PSI-PPS-273-50	10"	DN 250	273.1	50

PRODUCT CODE	NOMINAL INCHES	PIPE SIZE (mm)	PIPE OD(D) (mm)	INSULATION mm
PSI-PPS-323-25	12"	DN 300	323.6	25
PSI-PPS-323-32	12"	DN 300	323.6	32
PSI-PPS-323-50	12"	DN 300	323.6	50
PSI-PPS-355-25	14"	DN 350	355.6	25
PSI-PPS-355-32	14"	DN 350	355.6	32
PSI-PPS-355-50	14"	DN 350	355.6	50
PSI-PPS-406-25	16"	DN 406	406.4	25
PSI-PPS-406-32	16"	DN 406	406.4	32
PSI-PPS-406-50	16"	DN 406	406.4	50
PSI-PPS-457-25	18"	DN 450	457.2	25
PSI-PPS-457-32	18"	DN 450	457.2	32
PSI-PPS-457-50	18"	DN 450	457.2	50
PSI-PPS-508-25	20"	DN 500	508	25
PSI-PPS-508-32	20"	DN 500	508	32
PSI-PPS-508-50	20"	DN 500	508	50
PSI-PPS-556-25	22"	DN 550	558.8	25
PSI-PPS-556-32	22"	DN 550	558.8	32
PSI-PPS-556-50	22"	DN 550	558.8	50
PSI-PPS-610-25	24"	DN 600	609.6	25
PSI-PPS-610-32	24"	DN 600	609.6	32
PSI-PPS-610-50	24"	DN 600	609.6	50
PSI-PPS-650-25	26"	DN 650	660.4	25
PSI-PPS-650-32	26"	DN 650	660.4	32
PSI-PPS-650-50	26"	DN 650	660.4	50
PSI-PPS-711-25	28"	DN 700	711.2	25
PSI-PPS-711-32	28"	DN 700	711.2	32
PSI-PPS-700-50	28"	DN 700	711.2	50
PSI-PPS-762-25	30"	DN 750	762	25
PSI-PPS-762-32	30"	DN 750	762	32
PSI-PPS-762-50	30"	DN 750	762	50
PSI-PPS-812-25	32"	DN 800	812.8	25
PSI-PPS-812-32	32"	DN 800	812.8	32
PSI-PPS-812-50	32"	DN 800	812.8	50

NOTE :

- OTHER DIMENSIONS AVAILABLE ON REQUEST.
- (a) EP - MICRONS: 8µ-15µ (b) HDG - MICRONS: 70µ - 95µ

PIPE INSULATION SADDLE



FEATURES AND BENEFITS

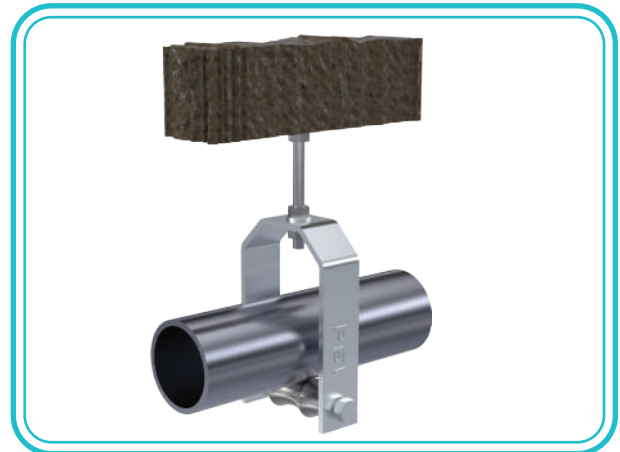
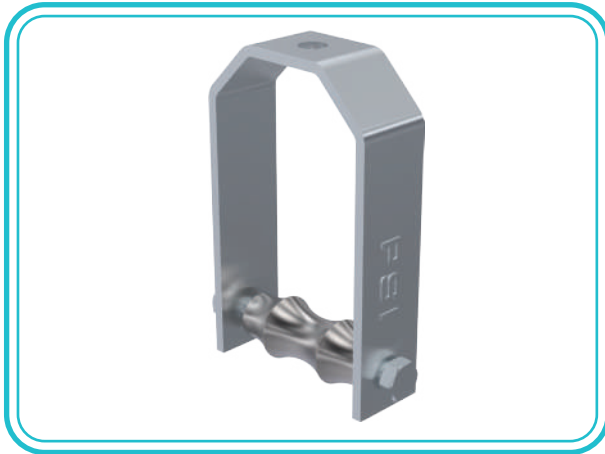
Description	<ul style="list-style-type: none"> Recommended to be used with insulated pipes Protects the pipe insulation over pipe lines Length = 300 mm
Material	<ul style="list-style-type: none"> Steel
Specification	<ul style="list-style-type: none"> Electro galvanized as per ASTM B 633. Galvanized as per ASTM A 123 / A123 M Designed to meet MSS Standard SP-58-2002, type 8 and SP-69.

NOTE:

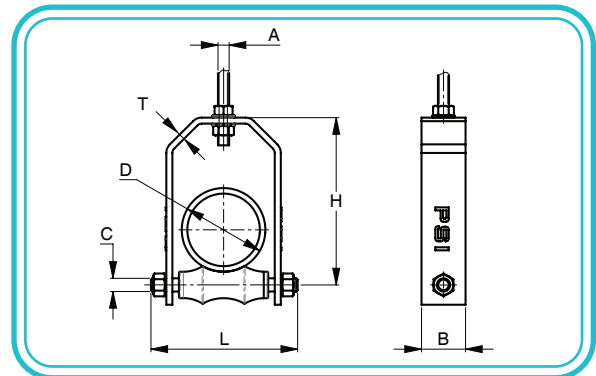
- OTHER DIMENSIONS AVAILABLE UPON REQUEST
- (a) EP - MICRONS: 8µ-15µ (b) HDG - MICRONS: 70µ - 95µ

PRODUCT CODE	NOMINAL INCHES	PIPE SIZE (mm)	PIPE OD(D) (mm)	INSULATION mm	MAX LOAD (N)
PSIPIS034-25	1"	DN 25	33.4	25	3500
PSIPIS034-50	1"	DN 25	33.4	50	3500
PSIPIS042-25	1 1/4"	DN 32	42.2	25	3500
PSIPIS042-50	1 1/4"	DN 32	42.2	50	3500
PSIPIS048-25	1 1/2"	DN 40	48.3	25	3500
PSIPIS048-50	1 1/2"	DN 40	48.3	50	3500
PSIPIS060-25	5"	DN 50	60.3	25	3500
PSIPIS060-50	5"	DN 50	60.3	50	3500
PSIPIS060-75	5"	DN 50	60.3	75	3500
PSIPIS073-25	2 1/2"	DN 65	73	25	6000
PSI-PIS073-50	2 1/2"	DN 65	73	50	6000
PSI-PIS073-75	2 1/2"	DN 65	73	75	6000
PSI-PIS090-25	3"	DN 80	88.9	25	6000
PSI-PIS090-50	3"	DN 80	88.9	50	6000
PSI-PIS090-75	3"	DN 80	88.9	75	6000
PSI-PIS114-25	4"	DN 100	114.3	25	6000
PSI-PIS114-50	4"	DN 100	114.3	50	6000
PSI-PIS114-75	4"	DN 100	114.3	75	6000
PSI-PIS140-25	5"	DN 125	141.3	25	9500
PSI-PIS140-50	5"	DN 125	141.3	50	9500
PSI-PIS140-75	5"	DN 125	141.3	75	9500
PSI-PIS168-25	6"	DN 150	168.3	25	9500
PSI-PIS168-50	6"	DN 150	168.3	50	9500
PSI-PIS168-75	6"	DN 150	168.3	75	9500
PSI-PIS219-25	8"	DN 200	219.1	25	9500
PSI-PIS219-50	8"	DN 200	219.1	50	9500
PSI-PIS219-75	8"	DN 200	219.1	75	9500
PSI-PIS273-25	10"	DN 250	273.1	25	12500
PSI-PIS273-50	10"	DN 250	273.1	50	12500
PSI-PIS273-75	10"	DN 250	273.1	75	12500
PSI-PIS323-25	12"	DN 300	323.6	25	12500
PSI-PIS323-50	12"	DN 300	323.6	50	12500
PSI-PIS323-75	12"	DN 300	323.6	75	12500
PSI-PIS355-25	14"	DN 350	355.6	25	29000
PSI-PIS355-50	14"	DN 350	355.6	50	29000
PSI-PIS355-75	14"	DN 350	355.6	75	29000
PSI-PIS406-50	16"	DN 406	406.4	50	29000
PSI-PIS406-75	16"	DN 406	406.4	75	29000
PSI-PIS457-50	18"	DN 450	457.2	50	29000
PSI-PIS457-75	18"	DN 450	457.2	75	29000
PSI-PIS508-50	20"	DN 500	508	50	29000
PSI-PIS508-75	20"	DN 500	508	75	29000
PSI-PIS610-50	24"	DN 600	609.6	50	45000
PSI-PIS610-75	24"	DN 600	609.6	75	45000
PSI-PIS762-50	30"	DN 750	762	50	45000
PSI-PIS762-75	30"	DN 750	762	75	45000

ADJUSTABLE ROLLER HANGER



FEATURES AND BENEFITS	
Description	<ul style="list-style-type: none"> • For support of pipe where horizontal movement due to expansion and contraction may occur • Vertical adjustment up to 6" is possible
Material	<ul style="list-style-type: none"> • Bracket : Steel • Roller : Solid Steel Shaft
Specification	<ul style="list-style-type: none"> • Electro galvanized as per ASTM B 633. • Galvanised as per ASTM A 123 / A123 M • Designed to meet MSS Standard SP-58-2002, type 8 and SP-69.

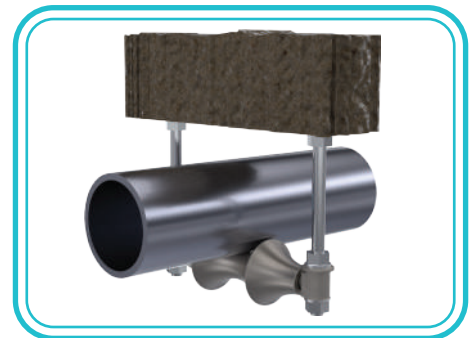
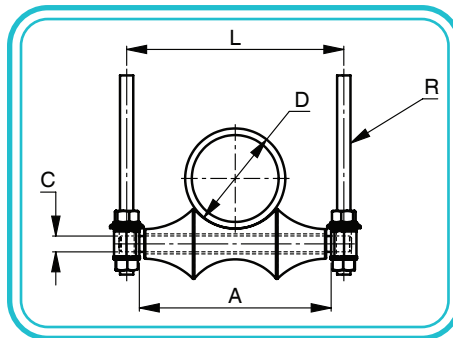
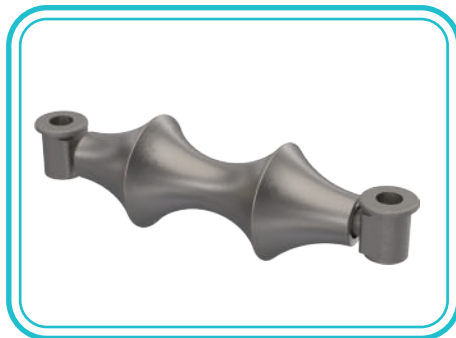


PRODUCT CODE	NOMINAL INCHES	PIPE SIZE (mm)	PIPE OD(D) (mm)	DIMENSION (A) mm	DIMENSION (C X L) mm	DIMENSION (H) mm	B x T	MAX LOAD (N)
PSI-ARH-060	2"	DN50	60.3	M12	M12 X 115	105	25 x 3.0	2100
PSI-ARH-073	2 1/2"	DN65	73	M12	M12 X 125	125	25 x 3.0	2100
PSI-ARH-090	3"	DN80	88.9	M12	M12 X 145	140	32 x 6.0	2100
PSI-ARH-100	3 1/2"	DN90	101.6	M16	M12 X 160	155	32 x 6.0	2100
PSI-ARH-115	4"	DN100	114.3	M16	M12 X 175	170	40 x 6.0	2900
PSI-ARH-140	5"	DN125	141.3	M20	M12 X 200	200	50 x 6.0	5500
PSI-ARH-168	6"	DN150	168.3	M20	M20 X 245	230	50 x 6.0	5500
PSI-ARH-219	8"	DN200	219.1	M20	M24 X 305	290	65 x 10.0	6000
PSI-ARH-273	10"	DN250	273	M24	M24 X 365	350	65 x 10.0	6000
PSI-ARH-323	12"	DN300	323.8	M24	M24 X 425	400	65 x 12.0	7500
PSI-ARH-355	14"	DN350	355.6	M24	M24 X 460	445	65 x 12.0	7500
PSI-ARH-406	16"	DN400	406.4	M24	M24 X 515	500	65 x 12.0	7500
PSI-ARH-457	18"	DN450	457.2	M30	M33 X 580	355	65 x 12.0	7500
PSI-ARH-508	20"	DN500	508.2	M30	M33 X 630	610	75 x 16.0	9000
PSI-ARH-610	24"	DN600	609.6	M30	M52 X 780	725	75 x 16.0	11000
PSI-ARH-611	26"	DN650	661	M36	M52 X 845	785	75 x 16.0	11000
PSI-ARH-712	28"	DN 700	712	M36	M52 X 895	840	75 x 16.0	11000
PSI-ARH-755	30"	DN750	755	M36	M52 X 940	885	75 x 16.0	11000

NOTE:

- OTHER DIMENSIONS AVAILABLE UPON REQUEST
- (a) EP - MICRONS: 8µ-15µ (b) HDG - MICRONS: 70µ - 95µ

PIPE ROLLER



FEATURES AND BENEFITS

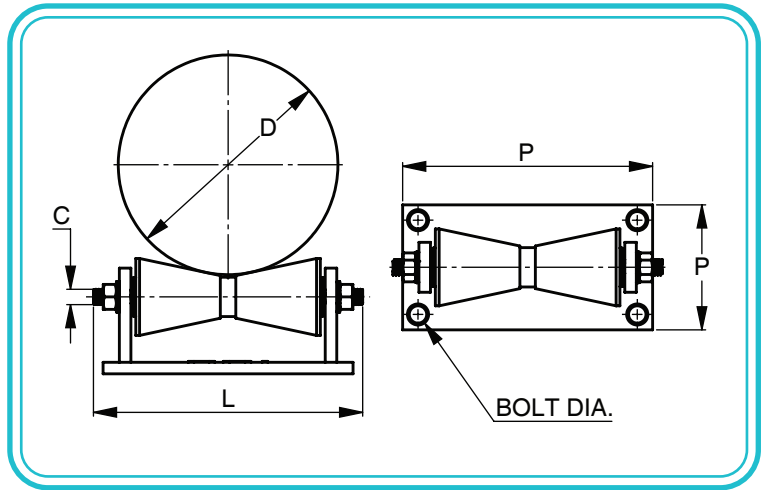
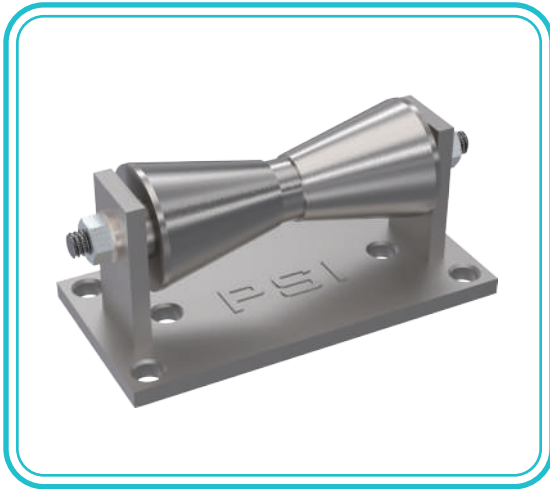
Description	<ul style="list-style-type: none"> • For support of pipes to provide axial movement. • Multiple pipe installations possible by using two rollers. • Versatile design permits axial movement of pipe due to a expansion and contraction. • Standard installation would support a single pipe and design permits installation of two pipes in double banking arrangement. In such cases ensure that the total weight of the installation is less than the maximum load of the roller as mentioned in the table. • Insulation protection products such as Rubber Support Inserts, Insulation Protection Shields and Pipe Covering Protection Saddles can be used with Pipe Rollers.
Material	Bracket : Steel Roller : Solid Steel Shaft
Specification	<ul style="list-style-type: none"> • Galvanized as per ASTM B 633. • Galvanised as per ASTM A 123 / A123 M • Designed to meet MSS Standard SP-58-2002, type 8 and SP-69.

PRODUCT CODE	NOMINAL INCHES	PIPE SIZE (mm)	PIPE OD(D) (mm)	DIMENSION (A) mm	DIMENSION (C X L) mm	DIMENSION (R) mm	MAX LOAD (N)
PSI-PR-060	2"	DN50	60.3	70	M12 X 115	M12	3500
PSI-PR-073	2 1/2"	DN65	73	83	M12 X 125	M12	3500
PSI-PR-090	3"	DN80	88.9	99	M12 X 145	M12	3500
PSI-PR-100	3 1/2"	DN90	101.6	112	M12 X 160	M12	3500
PSI-PR-115	4"	DN100	114.3	125	M12 X175	M12	5000
PSI-PR-140	5"	DN125	141.3	152	M12 X 200	M12	5000
PSI-PR-168	6"	DN150	168.3	179	M20 X 245	M16	5000
PSI-PR-219	8"	DN200	219.1	231	M24 X 305	M16	12500
PSI-PR-273	10"	DN250	273	285	M24 X 365	M20	12500
PSI-PR-323	12"	DN300	323.8	336	M24 X 425	M20	15000
PSI-PR-355	14"	DN350	355.6	368	M24 X 460	M24	15000
PSI-PR-406	16"	DN400	406.4	419	M24 X 515	M24	20000
PSI-PR-457	18"	DN450	457.2	470	M33 X 580	M32	35000
PSI-PR-508	20"	DN500	508.2	520	M33 X 630	M32	35000
PSI-PR-610	24"	DN600	609.6	626	M52 X 780	M36	50000
PSI-PR-662	26"	DN650	661	679	M52 X 845	M36	50000
PSI-PR-712	28"	DN 700	712	732	M52 X 895	M36	50000
PSI-PR-755	30"	DN750	755	778	M52 X 940	M36	50000

NOTE:

- OTHER DIMENSIONS AVAILABLE UPON REQUEST
- (a) EP - MICRONS: 8µ-15µ (b) HDG - MICRONS: 70µ - 95µ

ROLLER STAND



FEATURES AND BENEFITS

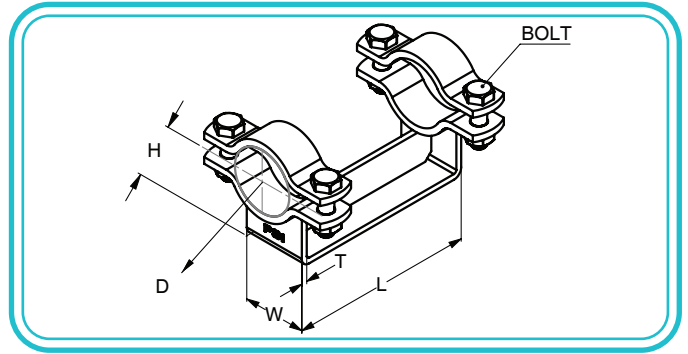
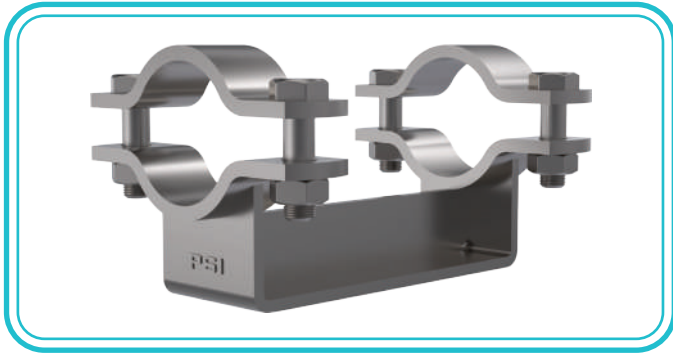
Description	<ul style="list-style-type: none"> For support of pipes where horizontal movement due to expansion and contraction may occur
Material	<ul style="list-style-type: none"> Bracket : Steel Roller : Solid Steel Shaft
Specification	<ul style="list-style-type: none"> Galvanized as per ASTM B 633. Galvanised as per ASTM A 123 / A123 M Designed to meet MSS Standard SP-58-2002, type 8 and SP-69.

PRODUCT CODE	NOMINAL INCHES	PIPE SIZE (mm)	PIPE OD(D) (mm)	P (mm)	DIMENSION (C X L) mm	BOLT DIA mm	MAX LOAD (N)
PSIRS060	2"	DN50	60.3	40	M12 x 80	16	6700
PSIRS073	2 1/2"	DN65	73	48	M12 x 90	16	10000
PSIRS090	3"	DN80	88.9	55	M12 x 95	16	13800
PSIRS100	3 1/2"	DN90	101.6	61	M12 x 100	16	17300
PSIRS115	4"	DN100	114.3	72	M12 x 115	16	21100
PSIRS140	5"	DN125	141.3	85	M12 x 130	16	30400
PSIRS168	6"	DN150	168.3	100	M20 x 160	16	34700
PSIRS219	8"	DN200	219.1	125	M24 x 190	20	34700
PSIRS273	10"	DN250	273	155	M24 x 225	20	42900
PSIRS323	12"	DN300	323.8	180	M24 x 260	20	53400
PSIRS355	14"	DN350	355.6	197	M24 x 275	20	53400
PSIRS406	16"	DN400	406.4	220	M24x 300	24	53400
PSIRS457	18"	DN450	457.2	250	M33 x 345	24	62300
PSIRS508	20"	DN500	508.2	275	M33 x 370	24	71100
PSIRS610	24"	DN600	609.6	330	M52 x 480	24	71100
PSIRS662	26"	DN650	661	355	M52 x 500	30	76000
PSIRS712	28"	DN700	712	385	M52 x 530	30	76000
PSIRS755	30"	DN750	755	405	M52 x 550	30	80000

NOTE:

- OTHER DIMENSIONS AVAILABLE UPON REQUEST
- (a) EP - MICRONS: 8µ-15µ (b) HDG - MICRONS: 70µ - 95µ

SLIDING PIPE SUPPORT



FEATURES AND BENEFITS

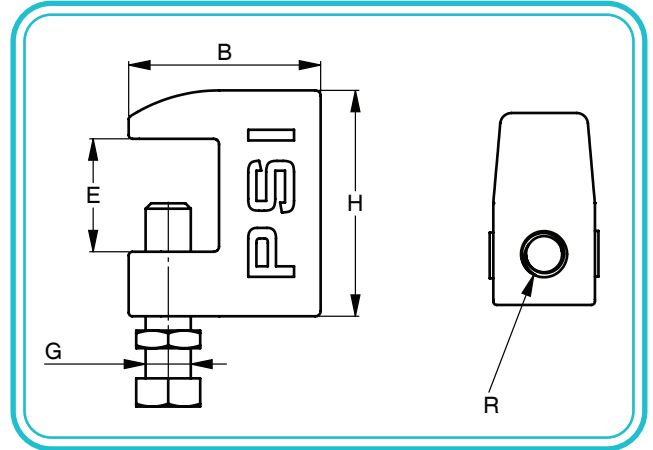
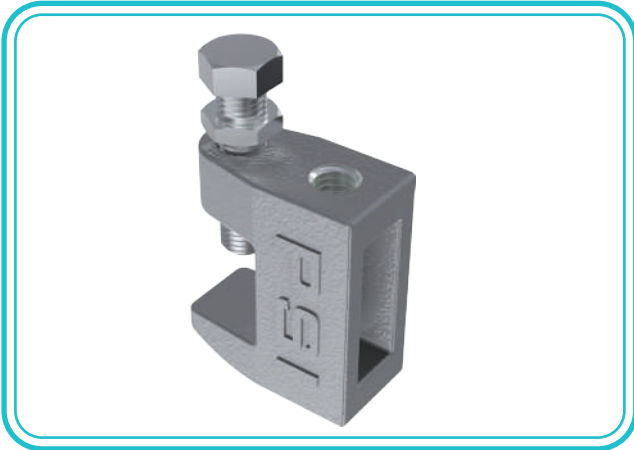
Material	<ul style="list-style-type: none"> Mild Steel, other material on request
Specification	<ul style="list-style-type: none"> Galvanised as per ASTM A 123 / A123 M Temperature resistance up to 300° C

PRODUCT CODE	NOMINAL INCHES	PIPE SIZE (mm)	PIPE OD(D) (mm)	INSULATION THICKNESS (mm)	OUTSIDE DIA. (mm)	WIDTH W (mm)	THICKNESS T (mm)	HEIGHT H (mm)	LENGTH L (mm)	BOLT HOLE DIA (mm)	MAX LOAD (N)
PSI-SPS-219	8"	DN200	219.1		219.1	50	8	107	290	M 16	29000
PSI-32-SPS-219	---	DN200		32 MM	283.1	50	8	107	290	M 16	29000
PSI-50-SPS-219	---	DN200		50 MM	319.1	50	8	142	290	M 16	29000
PSI-SPS-273	10"	DN250	273.1		273.1	50	8	107	290	M 16	29000
PSI-32-SPS-273	---	DN250		32 MM	337.1	50	8	107	290	M 16	29000
PSI-50-SPS-273	---	DN250		50 MM	373.1	50	8	142	290	M 16	29000
PSI-SPS-323	12"	DN300	323.8		323.8	50	8	107	290	M 16	29000
PSI-32-SPS-323	---	DN300		32 MM	387.8	60	8	107	290	M 16	34000
PSI-50-SPS-323	---	DN300		50 MM	423.8	60	8	142	290	M 16	34000
PSI-SPS-355	14"	DN350	355.6		355.6	60	8	142	290	M 16	34000
PSI-32-SPS-355	---	DN350		32 MM	419.6	60	8	142	290	M 16	34000
PSI-50SPS355	---	DN350		50 MM	455.6	60	8	192	290	M 16	34000
PSI-SPS-406	16"	DN400	406.4		406.4	60	8	142	290	M 16	34000
PSI-32-SPS-406	---	DN400		32 MM	470.4	60	8	142	290	M 16	34000
PSI-50-SPS-406	---	DN400		50 MM	506.4	60	8	192	290	M 16	34000
PSI-SPS-457	18"	DN450	457.2		457.2	60	8	142	290	M 16	34000
PSI-32-SPS-457	---	DN450		32 MM	592.2	75	10	142	290	M 16	44000
PSI-50-SPS-457	---	DN450		50 MM	595.2	75	10	192	290	M 16	44000
PSI-SPS-508	20"	DN500	508		508	75	10	142	290	M 16	44000
PSI-32-SPS-508	---	DN500		32 MM	572	75	10	142	290	M 16	44000
PSI-50-SPS-508	---	DN500		50 MM	608	75	10	192	290	M 16	44000
PSI-SPS-610	24"	DN600	609.6		609.6	75	10	142	290	M 16	44000
PSI-32-SPS-610	---	DN600		32 MM	673.6	75	10	142	290	M 16	44000
PSI-50-SPS-610	---	DN600		50 MM	709.6	75	10	192	290	M 16	44000

NOTE:

- OTHER DIMENSIONS AVAILABLE UPON REQUEST
- (a) EP - MICRONS: 8µ-15µ (b) HDG - MICRONS: 70µ - 95µ

BEAM CLAMP



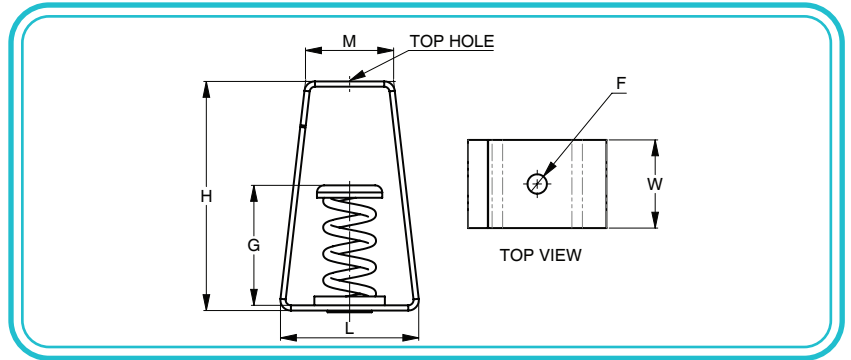
FEATURES AND BENEFITS

Description	<ul style="list-style-type: none"> • For sprinkler systems, heating, ventilation and air conditioning, acoustic tubes and sanitary installations. • Hexagon threaded head screw DIN938. • Threaded with Cup Point (RS) according to EN ISO 4753 and lock nut. • For a solid fixing to steel connections up to 22mm flange thickness without welding or drilling.
Material	<ul style="list-style-type: none"> • Steel, other materials on request.
Specification	<ul style="list-style-type: none"> • Galvanized as per ASTM A 123 / A 123M. • Designed to meet MSS Standard SP-58, type 26 and SP-69.



PRODUCT CODE	SIZE (G)	ROD (R)	B (mm)	E (mm)	HEIGHT (H) (mm)	MAX LOAD (N)	MICRONS (μ)
METRIC SIZE							
PSI-BC-08	M8	M8	50	21	45	1200	8-15
PSI-BC-10	M10	M10	50	21	47	2500	8-15
PSI-BC-12	M12	M12	58	25	53	3500	8-15
PSI-BC-16	M16	M16	58	27	58	5500	8-15
IMPERIAL SIZE							
PSI-BC-516	5/16"	5/16"	1.88	0.75	1.56	1200	8-15
PSI-BC-38	3/8"	3/8"	1.88	0.75	1.56	2500	8-15
PSI-BC-012	1/2"	1/2"	2.06	0.75	1.63	3500	8-15
PSI-BC-58	5/8"	5/8"	2.19	0.75	1.75	5500	8-15
PSI-BC-34	3/4"	3/4"	2.38	0.75	1.75	7500	8-15

SPRING HANGER



FEATURES AND BENEFITS

Features	<ul style="list-style-type: none"> PSISH Spring Hangers consist of freestanding, laterally stable steel springs in series with a molded elastomeric element assembled into a stamped and welded hanger bracket. The hanger brackets and the springs are powder coated. Spring vibration isolation hangers are designed to provide high efficiency isolation from structure-borne vibration and noise. Springs are color-coded and in compliance with ASHRAE guidelines, springs are designed with a horizontal stiffness of at least 100% of the vertical stiffness, to ensure stability. This is achieved through high spring diameter to operating height ratios 0.85 to 1.0 (as against the minimum of 0.80 required by ASHRAE).
Application	<ul style="list-style-type: none"> PSISH Hangers are used to isolate suspended sources of both noise and vibration. Suspended mechanical equipment such as air handling units, FCU's cabinet fans, piping and ductwork in close proximity with rotating mechanical equipment is a typical application of model PSISH hangers.

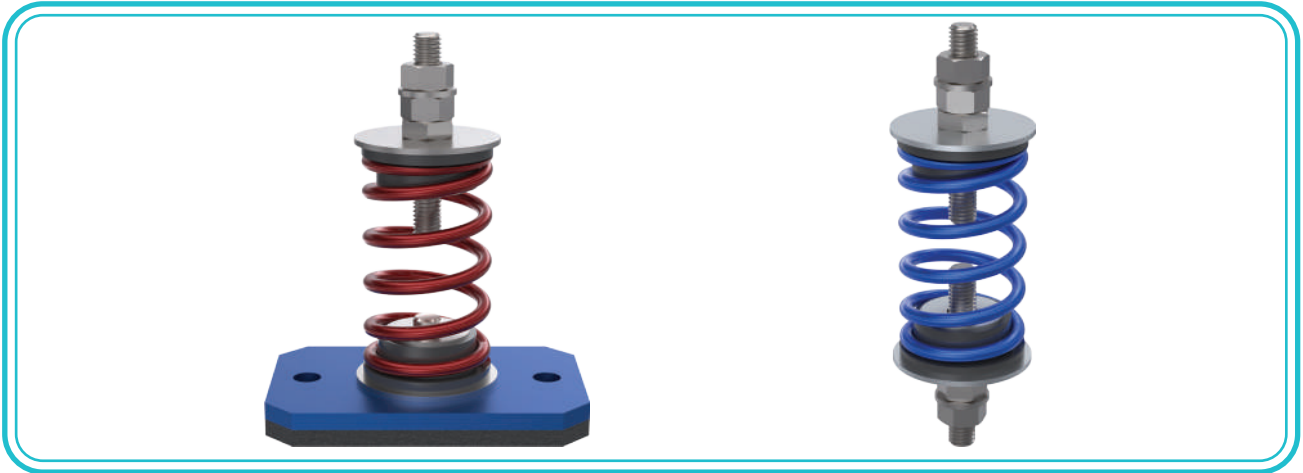
Compliance - Springs designed according to BS 1726 (Part 1) and recommendations made by SAE (US) and ASHRAE

ISOLATOR MODEL	COLOR CODE	RATED LOAD (KG)	DEFLECTION SIZE mm	M (mm)	L (mm)	W (mm)	H (mm)	F (mm)	TOP HOLE (mm)	G (mm)
PSI-SPH- 20/15	WHITE	15	20	53	57	33	70	10	12	44
PSI-SPH- 20/30	YELLOW	30	20	53	57	33	70	10	12	44
PSI-SPH- 20/50	PURPLE	50	20	53	57	33	70	10	12	44
PSI-SPH- 25/10	PURPLE	10	25	53	62	52	100	12	13	70
PSI-SPH- 25/15	YELLOW	15	25	53	62	52	100	12	13	70
PSI-SPH- 25/20	GREY	20	25	53	62	52	100	12	13	70
PSI-SPH- 25/40	LIGHT BLUE	40	25	53	62	52	100	12	13	70
PSI-SPH- 25/60	GREEN	60	25	53	62	52	100	12	13	70
PSI-SPH- 15/100		100	15	83	90	65	125	14	15	79
PSI-SPH- 25/100	GREEN	100	25	83	90	65	125	14	15	79
PSI-SPH- 25/160	ORANGE	160	25	83	90	65	125	14	15	79
PSI-SPH- 25/200	RED	200	25	83	90	65	125	14	15	79
PSI-SPH- 25/250	PURPLE	250	25	83	90	65	125	14	15	79
PSI-SPH- 25/300	GREY	300	25	102	112	95	165	13	19	104
PSI-SPH- 25/400	ORANGE	400	25	102	112	95	165	18	19	104
PSI-SPH- 25/500	BROWN	500	25	102	112	95	165	18	19	104
PSI-SPH- 25/600	BLACK	600	25	102	112	95	165	18	19	104
PSI-SPH- 25/800	RED	800	25	102	112	95	165	18	19	104
PSI-SPH- 25/1050	WHITE	1050	25	102	112	95	165	18	19	104
PSI-SPH- 25/1250	GREEN	1250	25	102	112	95	165	18	19	104

NOTE:

- Due to policy of continual improvement, the specifications are subject to change without prior notice.
- Measurements are subject to 5% tolerance.
- To achieve good sound suppression do not over load fitting.

OPEN SPRING MOUNTINGS



FEATURES AND BENEFITS

Description

- Unique expanding rubber and fixing of spring which also provides high frequency attenuation.
 - Nominal 20, 25 & 50 mm deflection colour coded springs with 50% overload capacity.
 - Can be bolted to a supporting structure or free standing on 6mm thick ribbed rubber pad.
 - Fully height adjustable.
 - Zinc plated metals.
 - No snubbing gives maximum efficiency.
 - This unique range of open spring mounting uses an integral rubber end fixing of the spring which sets them apart from all other designs. Loose springs and plates are now history and high frequency and noise attenuation is provided regardless of whether rubber seating pad is used or not.
 - Originally designed for use with type IPF Inertia Pouring Frames, the PSIOS Mountings are now widely used to isolate vibration from every conceivable type of rotating and reciprocating machine. Some examples being air handing units, axial and centrifugal fans, low level pipe work, ductwork, condensing units, pumps, generating sets, chillers, etc.
- Where control of transient motion is required open spring mountings can be used in conjunction with our Viscous Dampers Type PSIVD.

ISOLATION EFFICEINCY AT TYPICAL MACHINE SPEEDS

M/C SPEED (rpm)	EFFICIENCY %		
	15 mm DEFL	25 mm DEFL	20 mm DEFL
300	---	34.0	75.2
500	68.7	83.3	92.3
750	88.1	93.2	96.7
1000	93.7	96.3	98.2
1200	95.05	97.4	98.7
1500	97.3	98.4	99.2
1750	98.0	99.8	99.4
2000	98.5	99.1	99.5

SIZE	LOAD RANGE (kg)	NOMINAL DEFLECTION (MM)
PSI-OSM-20	10-100	20
PSI-OSM-25	30-2300	25
PSI-OSM-50	100-1300	50

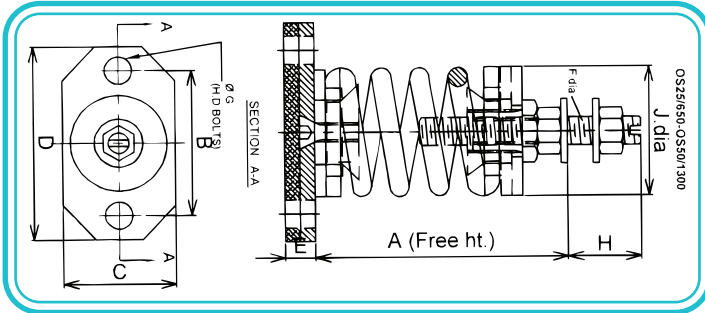
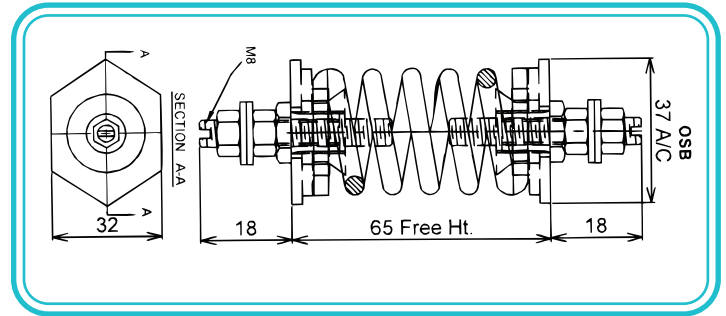
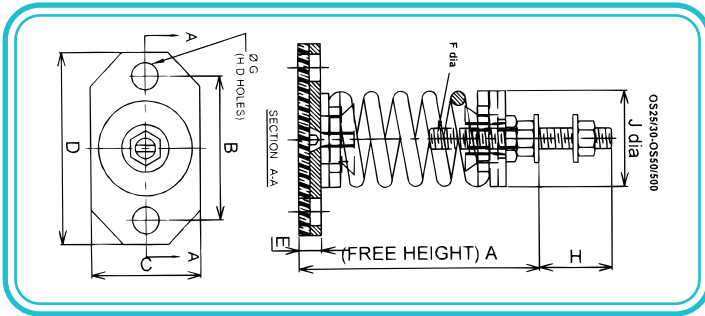
This above figures are theoretical values only based on the vertical natural frequency of the spring system assuming in infinitely stiff structural supports. The effects of high frequency spring coil resonances on low frequency performance are also ignored.

Compliance - Springs designed according to BS 1726 (Part 1) and recommendations made by SAE (US) and ASHRAE

NOTE:

- Due to policy of continual improvement, the specifications are subject to change without prior notice.
- Measurements are subject to 5% tolerance.
- To achieve good sound suppression do not over load fitting.

DESIGN DATA & DIMENSIONS



PART NO.	COLOUR CODE	RATED LOAD (kg)	DEFLECTION AT RATED LOAD(MM)
PSIOSB20/10	PURPLE	10	20
PSIOSB20/15	YELLOW	15	20
PSIOSB20/20	GREY	20	20
PSIOSB20/40	GREEN	40	20
PSIOSB20/70	RED	70	20
PSIOSB20/100	BLUE	100	20

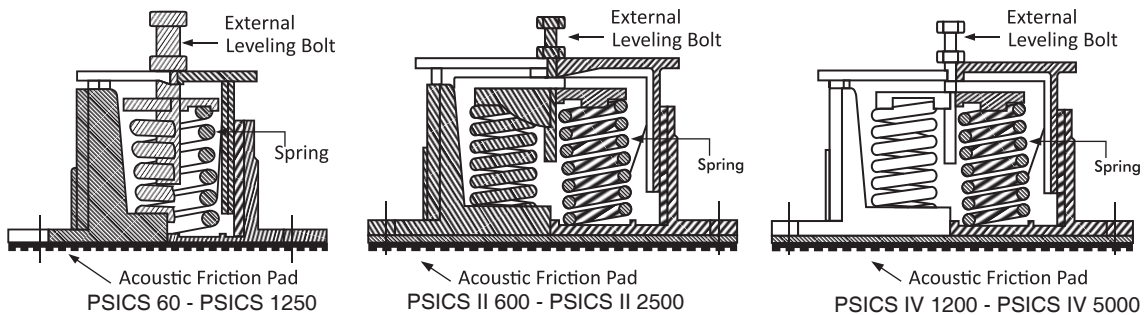
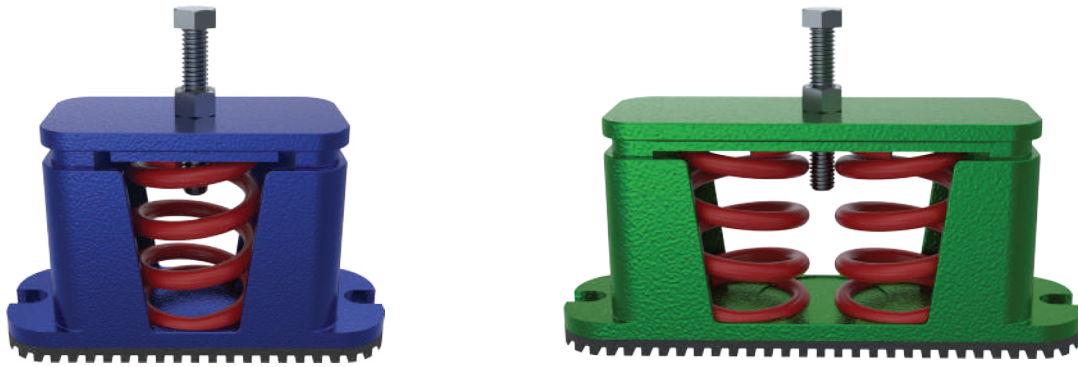
PART NUMBER	COLOUR CODE	RATED LOAD (KG)	DEFLECTION AT RATED	DIMENSIONS (mm)									
				A	B	C	D	E	F	G	H	I	
PSI-OSM-25/30	Yellow	30	25										
PSI-OSM-25/60	Green	60	25										
PSI-OSM-25/100	Blue	100	25	115	85	70	110	10	M10	10	20	55	
PSI-OSM-25/160	White	160	25										
PSI-OSM-25/250	Red	250	25										
PSI-OSM-25/200	Red	200	25										
PSI-OSM-25/300	Purple	300	25										
PSI-OSM-25/400	Grey	400	25										
PSI-OSM-25/500	Orange	800	25	160	110	100	140	11	M16	12	27	75	
PSI-OSM-25/600	Brown	600	25										
PSI-OSM-25/700	Orange	700	25										
PSI-OSM-25/800	Black	800	25										
PSI-OSM-50/100	Yellow	100	50										
PSI-OSM-50/200	Green	200	50										
PSI-OSM-50/300	Blue	300	50	188	110	100	140	11	M16	12	27	75	
PSI-OSM-50/400	White	400	50										
PSI-OSM-50/500	Black	500	50										
PSI-OSM-25/650	Yellow	650	26										
PSI-OSM-25/850	Green	850	27	182	110	100	140	11	M16	12	27	75	
PSI-OSM-25/1050	Blue	1050	26										
PSI-OSM-25/1250	White	1250	26										
PSI-OSM-25/1300	Red	1300	27										
PSI-OSM-25/1600	Purple	1600	25	225	210	150	250	18	M24	16	51	75	
PSI-OSM-25/2000	Grey	2000	26										
PSI-OSM-25/2300	Brown	2300	29										
PSI-OSM-50/510	Black/Purple	510	51										
PSI-OSM-50/760	Black/Grey	760	51	240	210	150	250	13	M20	16	42	80	
PSI-OSM-50/1000	Black/Orange	1000	50										
PSI-OSM-50/1300	Black/Brown	1300	53										

Compliance - Springs designed according to BS 1726 (Part 1) and recommendations made by SAE (US) and ASHRAE

NOTE:

- Due to policy of continual improvement, the specifications are subject to change without prior notice.
- Measurements are subject to 5% tolerance.
- To achieve good sound suppression do not over load fitting.

CASED SPRING MOUNT



FEATURES AND BENEFITS

Description

- Color coded springs to facilitate identification.
- Powder coated springs.
- Load upto 5000 kgs.*
- Deflection upto 25mm*
- 4 Models
- 26 Load Ranges
- Deflection is at rated load with 15% Tolerances.
- All mounts have approximately 50% overload capacity.
- Unique mount design provides horizontal stability, high loading capacity and protective spring enclosure.
- All mounts have external leveling arrangement, capable of compensating for full static deflection.
- Inner walls of lower casing have resilient rubber snubbers which:
 - Eliminates possibility of binding by providing a smooth guide path for the top casing.
 - Limits lateral movement, particularly due to start-up, shut- down and horizontal wind load.
 - Prevents isolator short-circuiting by avoiding metal to metal contact.
- Neoprene inserts below springs and 6 mm thick ribbed base pad act as noise breaks for high frequencies in the audible range, which can otherwise get transmitted to building structures.
- Mountings must be adjusted so that upper housing clears lower housing by at least 6 mm and not more than 12 mm

Typical Applications

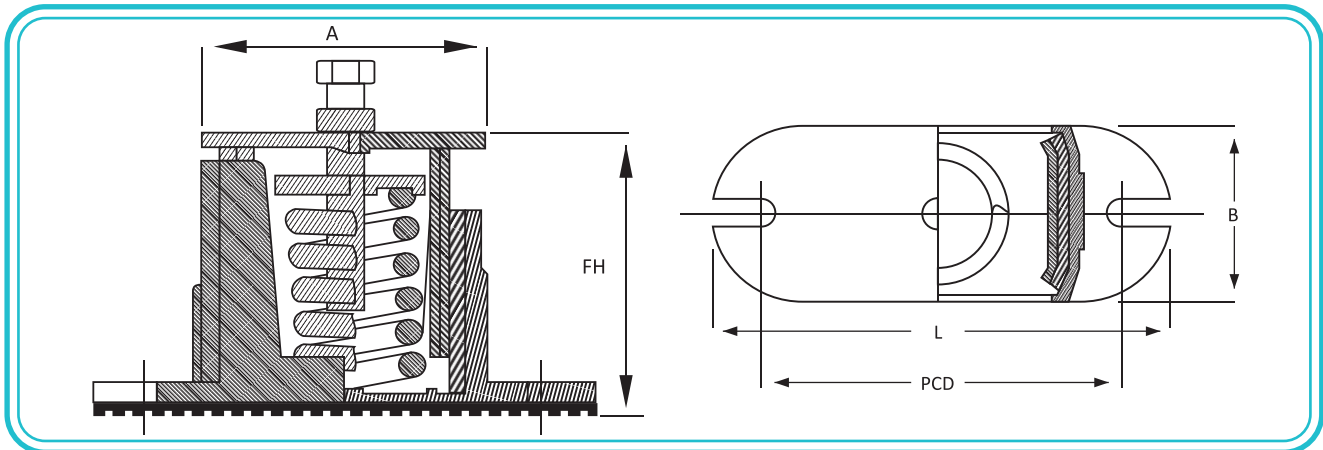
Application examples include : Chillers, AHU's Pumps, Centrifugal / Axial Fans, Condensing Units, Rooftop Packaged Units, Reciprocating Compressors, DG Sets, Punch Presses, Drop Hammers, Floor Pipe Supports (normally at first few pipe support points leading from isolated equipment).

Compliance - Springs designed according to BS 1726 (Part 1) and recommendations made by SAE (US) and ASHRAE

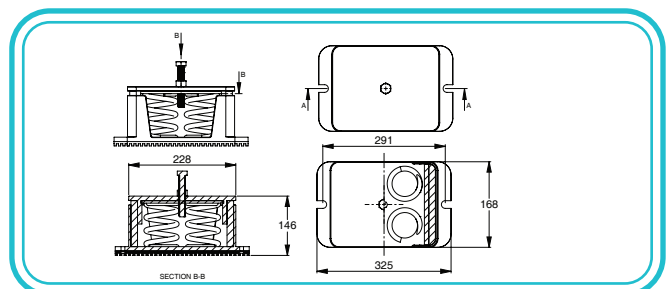
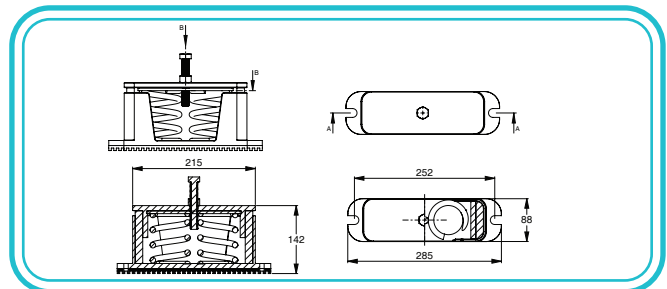
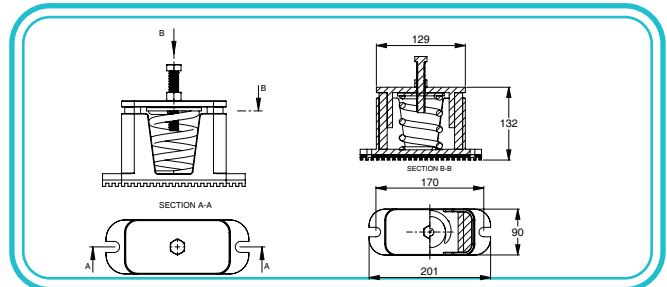
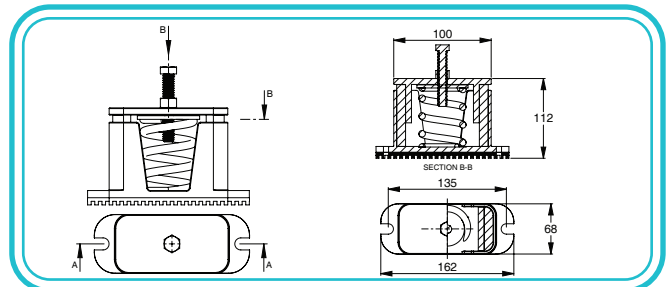
NOTE :

- Custom load and deflection are also available.

CASED SPRING MOUNT

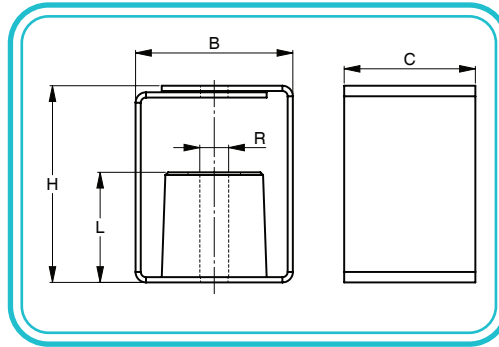
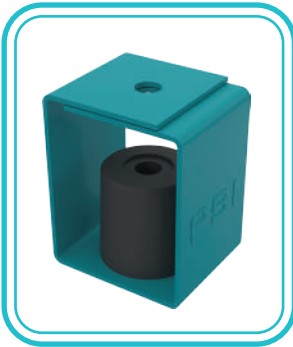


PRODUCT CODE	COLOUR CODE	RATED LOAD (mm)	DEFLECTION (mm)
PSI-CSM- 060	Blue	60	25
PSI-CSM- 100	Green	100	25
PSI-CSM- 160	Orange	160	25
PSI-CSM- 200	Red	200	25
PSI-CSM- 250	Purple	250	25
PSI-CSM- 300	Grey	300	25
PSI-CSM- 400	Orange	400	25
PSI-CSM- 500	Brown	800	25
PSI-CSM- 600	Black	600	25
PSI-CSM- 800	Red	800	25
PSI-CSM- 1050	White	1050	25
PSI-CSM- 1250	Green	1250	25
PSI-CSM- II 600	Grey	600	25
PSI-CSM- II 800	Orange	800	25
PSI-CSM- II 1000	Brown	1000	25
PSI-CSM- II 1200	Black	1200	25
PSI-CSM- II 1600	Red	1600	25
PSI-CSM- II 2100	White	2100	25
PSI-CSM- II 2500	Green	2500	25
PSI-CSM- IV 1200	Grey	1200	25
PSI-CSM- IV 1600	Orange	1600	25
PSI-CSM- IV 2000	Brown	2000	25
PSI-CSM- IV 2400	Black	2400	25
PSI-CSM- IV 3200	Red	3200	25
PSI-CSM- IV 4200	White	4200	25
PSI-CSM- IV 5000	Green	5000	25



Compliance - Springs designed according to BS 1726 (Part 1) and recommendations made by SAE (US) and ASHRAE

RUBBER HANGER



FEATURES AND BENEFITS

Description

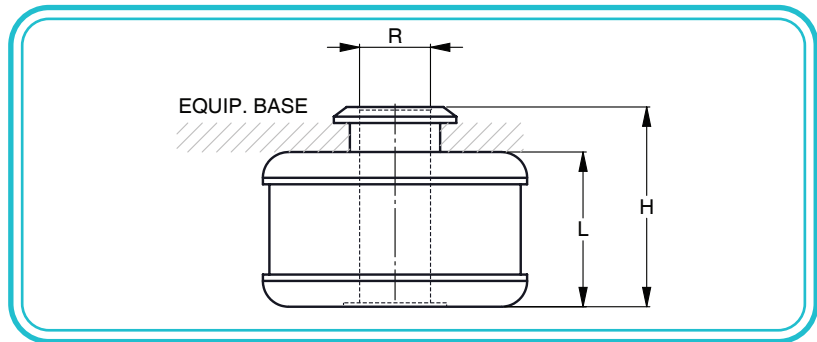
- Constructed of a neoprene element in a squate powder coated bracket

PRODUCT CODE	COLOUR CODE	B (mm)	H (mm)	L (mm)	R (mm)	DEFLECTION (mm)	Max Load (N)
PSI-RBH-10	Blue	55	75	40	M10	8	100
PSI-RBH-20	Green	55	75	40	M10	8	200
PSI-RBH-30	Red	55	75	40	M10	8	300
PSI-RBH-50	Yellow	55	75	40	M10	8	500
PSI-RBH-70	Brown	55	75	40	M10	10	700
PSI-RBH-120	Orange	55	75	40	M10	10	1200

NOTE :

- Due to policy of continual improvement, the specifications are subject to change without prior notice.
- Measurements are subject to 5% tolerance. (3) To achieve good sound suppression do not over load fitting.

DUCT MOUNT



PRODUCT CODE	B (mm)	H (mm)	L (mm)	R (mm)	DEFLECTION (mm)	Max Load (N)
PSI-DM-9	41	37	25	M10	4	900
PSI-DM-6	32	37	19	M10	4	600

FEATURES AND BENEFITS

Description

- Duct Hanger consist of a resilient rubber mount held between two plated steel caps.
- For uniform distribution of load. It has an integral extended rubber sleeve which prevents direct metal-to-metal contact, thereby minimizing transmission of noise and vibration.

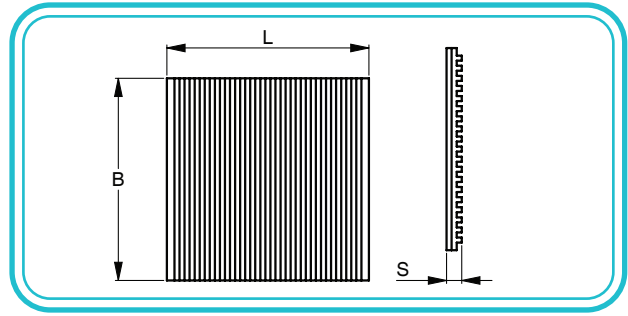
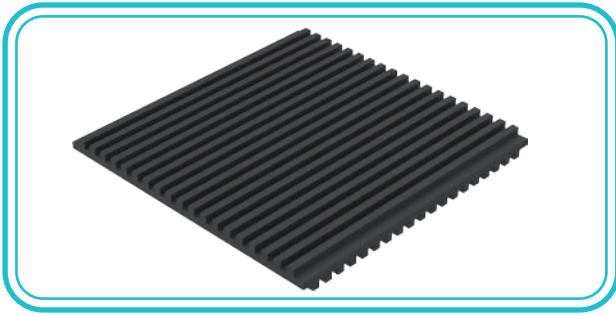
TYPICAL APPLICATIONS

SUSPENSION OF	FLOOR MOUNTING OF
<ul style="list-style-type: none"> • Fan Coil Units • Pipes • Ducts • Brackets • Light Weight Equipment 	(using rubber element only) <ul style="list-style-type: none"> • Refrigerators • Domestic Appliances • Industrial Equipments

NOTE :

- Due to policy of continual improvement, the specifications are subject to change without prior notice.
- Measurements are subject to 5% tolerance.
- To achieve good sound suppression do not over load fitting.

RIBBED MOUNTING PAD



FEATURES AND BENEFITS

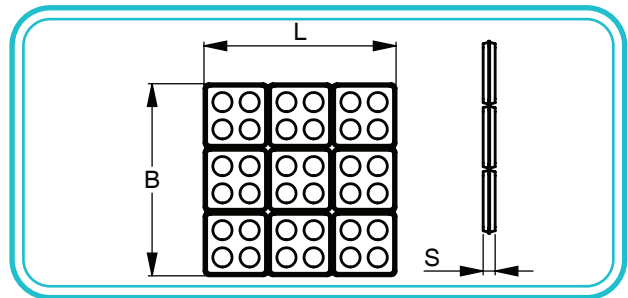
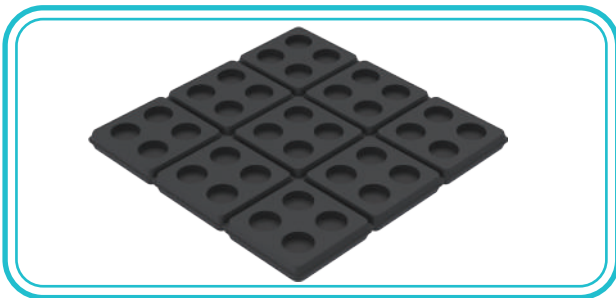
Description

- Alternate high-low ribbed construction.
- Pads can be cut to be slightly larger than the size of the leg or machine, using shears or knife.
- Multiple layers of Ribbed Mounting Pad can be used to increase deflection.
- Easy field installation.

PRODUCT CODE	LENGTH (L) mm	WIDTH (B) mm	THICKNESS (S) mm	Max Load (N)
PSI-RMP-075	75	75	10	750
PSI-RMP-100	100	100	10	1050
PSI-RMP-150	150	150	10	1500
PSI-RMP-200	200	200	10	2050
PSI-RMP-300	300	300	10	3100
PSI-RMP-450	450	450	10	4800

- NOTE :**
- Due to policy of continual improvement, the specifications are subject to change without prior notice.
 - Measurements are subject to 5% tolerance.
 - To achieve good sound suppression do not over load fitting.

WAFFLE PAD



FEATURES AND BENEFITS

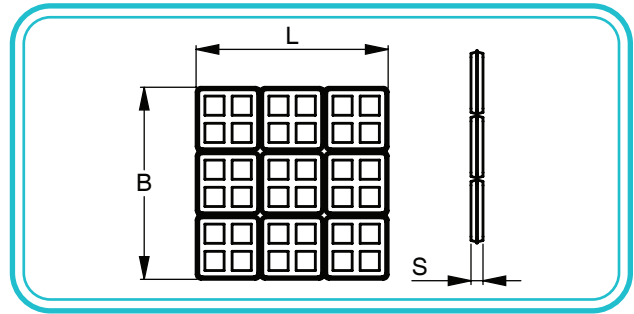
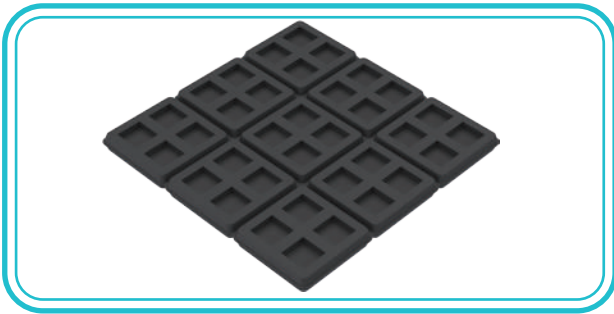
Description

- Easy cut design without tools allows job site flexibility
- Designed with in-built section cups
- Easy field installation.

PRODUCT CODE	LENGTH (L) mm	WIDTH (B) mm	THICKNESS (S) mm	Max Load (N)
PSI-WP-075	75	75	20	750
PSI-WP-100	100	100	20	1050
PSI-WP-150	150	150	20	1500
PSI-WP-200	200	200	20	2050
PSI-WP-300	300	300	20	3100
PSI-WP-450	450	450	20	4800

- NOTE :**
- Due to policy of continual improvement, the specifications are subject to change without prior notice.
 - Measurements are subject to 5% tolerance.
 - To achieve good sound suppression do not over load fitting.

SQUARE CELL PAD



FEATURES AND BENEFITS

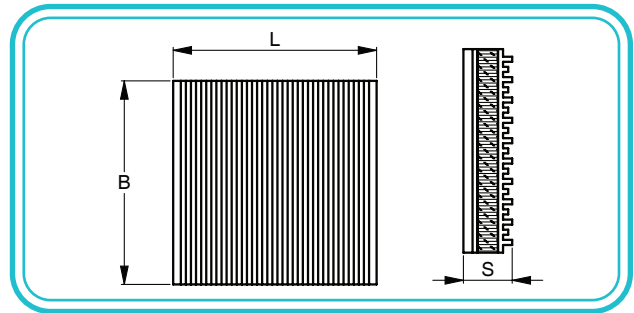
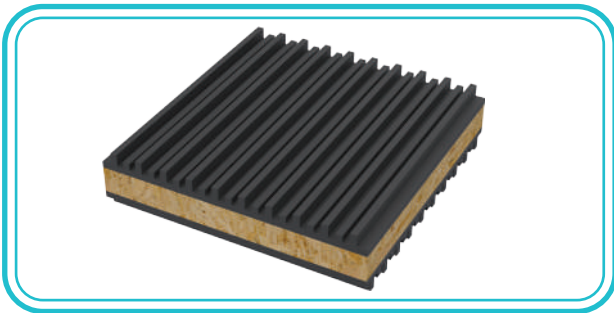
Description

- Square Cell Pad consist of 81 sections of size 50 mm x 50 mm separated by a thin web which can be easily cut to requirements.
- Excellent high frequency sound attenuation as compared to waffle pads.
- Standard size for ease of handling.

PRODUCT CODE	LENGTH (L) mm	WIDTH (B) mm	THICKNESS (S) mm	Max Load (N)
PSI-SCP-075	75	75	20	1000
PSI-SCP-100	100	100	20	1500
PSI-SCP-150	150	150	20	2000
PSI-SCP-200	200	200	20	3000
PSI-SCP-300	300	300	20	4500
PSI-SCP-450	450	450	20	6000

- NOTE :**
- Due to policy of continual improvement, the specifications are subject to change without prior notice.
 - Measurements are subject to 5% tolerance.
 - To achieve good sound suppression do not over load fitting.

CORK SANDWICH PAD



FEATURES AND BENEFITS

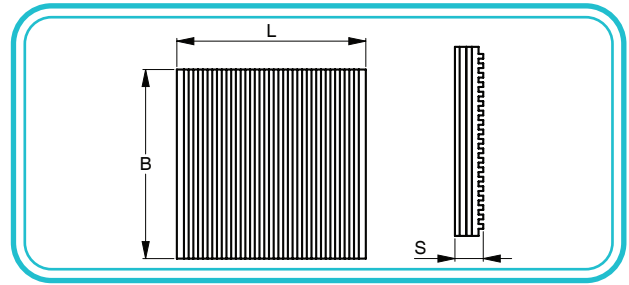
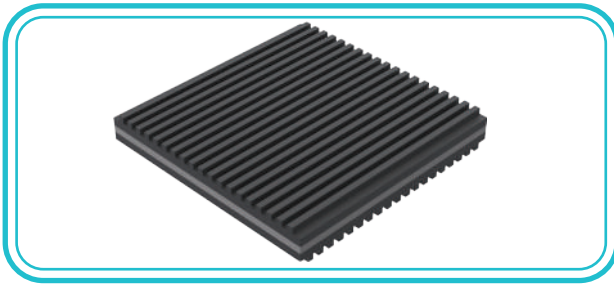
Description

- Cork Sandwich Pad are laminated pads having thick close grained cork securely bonded between two layers of alternate low- high ribbed neoprene rubber pads
- Offers highest level of sound attenuation and vibration insulation.
- Easy field installation.

PRODUCT CODE	LENGTH (L) mm	WIDTH (B) mm	THICKNESS (S) mm	Max Load (N)
PSI-CSP-075	75	75	22	1500
PSI-CSP-100	100	100	22	2000
PSI-CSP-150	150	150	22	3000
PSI-CSP-200	200	200	22	4000
PSI-CSP-300	300	300	22	6000
PSI-CSP-450	450	450	22	9000

- NOTE :**
- Due to policy of continual improvement, the specifications are subject to change without prior notice.
 - Measurements are subject to 5% tolerance.
 - To achieve good sound suppression do not over load fitting.

METAL SANDWICH PAD



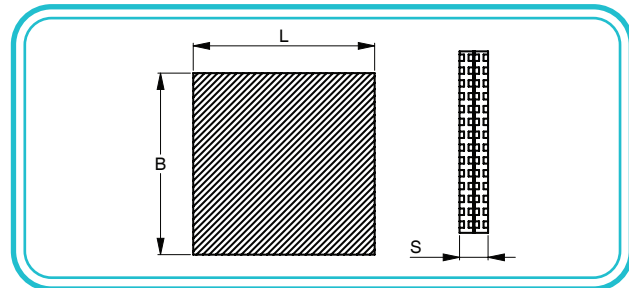
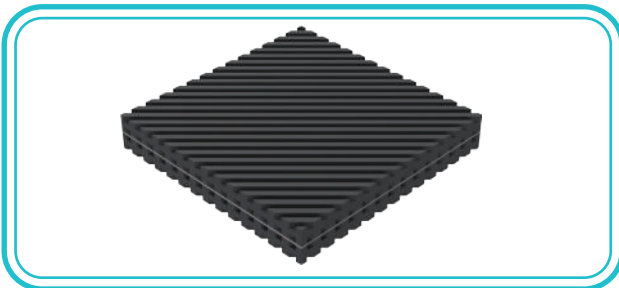
FEATURES AND BENEFITS

Description	<ul style="list-style-type: none"> • Metal Sandwich Pads are constructed of a steel plate bonded between ribbed and vibration pads • Designed for very high load capacity
-------------	---

PRODUCT CODE	LENGTH (L) mm	WIDTH (B) mm	THICKNESS (S) mm	Max Load (N)
PSI-MSP-075/20	75	75	20	6000
PSI-MSP-100/20	100	100	20	7500
PSI-MSP-150/20	150	150	20	12500
PSI-MSP-200/20	200	200	20	15000
PSI-MSP-300/20	300	300	20	18000
PSI-MSP-450/20	450	450	20	22000
PSI-MSP-075/25	75	75	25	9000
PSI-MSP-100/25	100	100	25	11250
PSI-MSP-150/25	150	150	25	18750
PSI-MSP-200/25	200	200	25	22500
PSI-MSP-300/25	300	300	25	27000
PSI-MSP-450/25	450	450	25	33000

- NOTE :**
- Due to policy of continual improvement, the specifications are subject to change without prior notice.
 - Measurements are subject to 5% tolerance.
 - To achieve good sound suppression do not over load fitting.

RIBBED MULTI - LAYER PAD



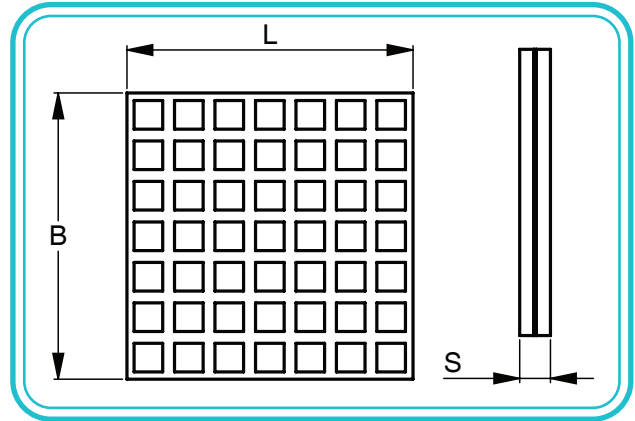
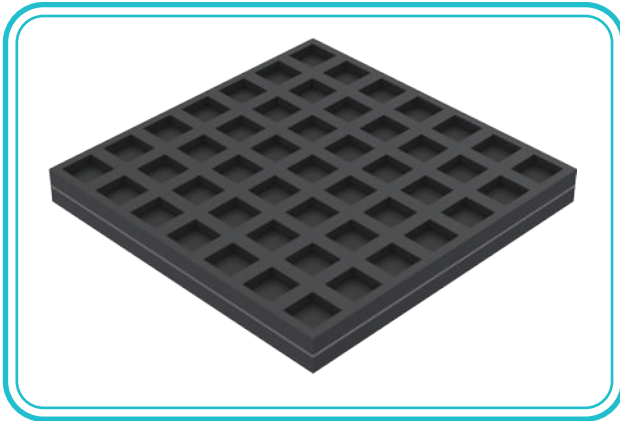
FEATURES AND BENEFITS

Description	<p>Ribbed Multi Layer Pads are constructed of two layers of thick ribbed pads encasing one 1.5 mm thickness steel plate in the center.</p> <p>Alternate rib design with the ribs below and above joined at right angles to each other to eliminate skidding. Diagonal ribs help to distribute load evenly.</p>
-------------	--

PRODUCT CODE	LENGTH (L) mm	WIDTH (B) mm	THICKNESS (S) mm	DEFLECTION mm	Max Load (N)
PSI-RMLP-152	152	152	35	4.5	9000
PSI-RMLP-102	102	102	35	4.5	4000

- NOTE :**
- Due to policy of continual improvement, the specifications are subject to change without prior notice.
 - Measurements are subject to 5% tolerance.
 - To achieve good sound suppression do not over load fitting.

SQUARE CELL MULTI LAYER PAD



FEATURES AND BENEFITS

Description

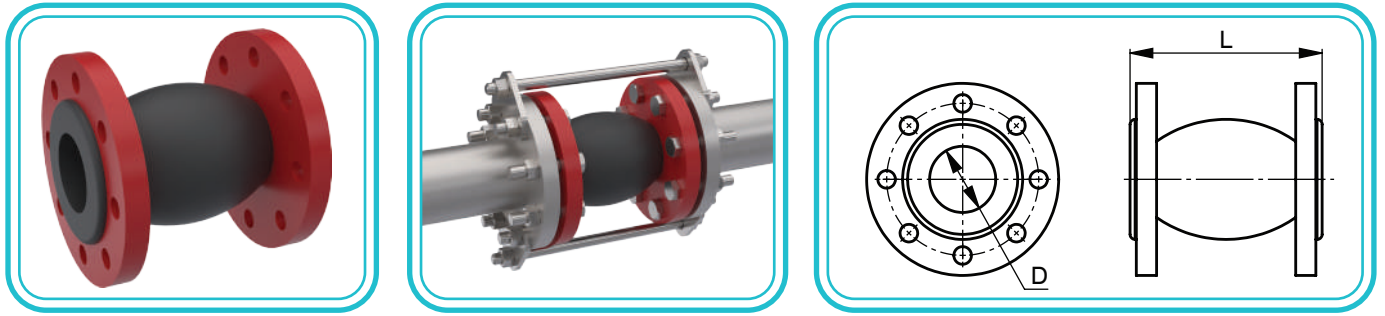
- Square Cell Multi Layer Pads are constructed of three layers of Square cell rubber sheets with two steel plates of 1.5 thickness.
- Due to suction pockets formed by the square cell design the pad offers better grip on the floor surface.
- Higher load capacity than Ribbed Multi Layer Pad.

PRODUCT CODE	LENGTH (L) mm	WIDTH (B) mm	THICKNESS (S) mm	DEFLECTION mm	Max Load (N)
PSI-SMLP-152	152	152	35	4.5	10000
PSI-SMLP-102	102	102	35	4.5	4500

NOTE :

- Due to policy of continual improvement, the specifications are subject to change without prior notice.
- Measurements are subject to 5% tolerance.
- To achieve good sound suppression do not over load fitting.

SINGLE ARCH FLOATING FLANGE EXPANSION JOINT



FEATURES AND BENEFITS

Description

- Inlet and outlet of air handling units, chillers, cooling towers Condensers.
- Air Suction and Discharge of pumps.
- Intervals in Chilled water piping.
- Installation of Flexible Expansion Joint is recommended to compensate for axial, transverse and angular pipe movements protecting the system from stress due to thermal pipe expansion or contraction.
- Due to the spherical shape of the bellow the flow of the fluid is smooth, resulting in negligible pressure drop across the joint.
- Control units for flanges are available as optional attachments and are recommended to be used at installations where the rated movements of the joint are likely to exceed even if the piping system is anchored on both sides.
- The control units consist of neoprene grommets, gusset plate, counter flanges and control rod.
- Designed to protect the joint from damage due to excessive pipe line movements.

TECHNICAL DATA

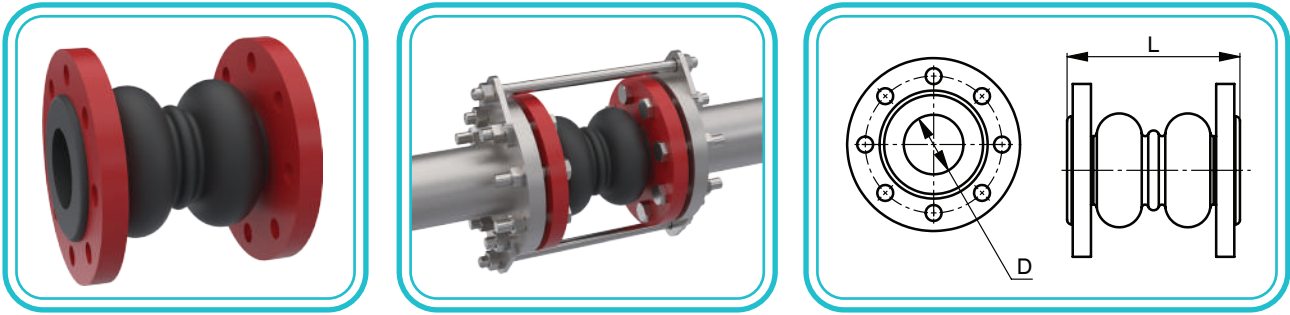
Temperature Resistance	From -15 °C to +115 °C
Working Media	Water, Compressed Air, Oil, Weak Acids / Alkalines
Vacuum	700 mm Hg
Maximum Pressure	2" to 12" : 250 PSI / 17 14" to 20" : 140 PSI / 10
Burst Pressure	2" to 12" : 650 PSI / 45 14" to 20" : 550 PSI / 40

CONSTRUCTION FEATURES

Bellow	Neoprene (NBR and EPDM available on request)
Reinforcement	Nylon cord fabric and spring steel wire
Flanges	Floating forged steel, drilled to BS4504 PN 16 (ANSI standards on request)
Finish	Epoxy powder coated for corrosion resistance

PRODUCT CODE	NOMINAL mm	PIPE SIZE mm	PIPE OD (D) mm	LENGTH (L) mm	ELONGATION mm	COMPRESSION mm	DEFLECTION ANGLE
PSI-SEJ-060	5"	DN50	60.3	130	10	13	15°
PSI-SEJ-073	2 1/2"	DN65	73	150	10	13	15°
PSI-SEJ-090	3"	DN80	88.9	150	10	13	15°
PSI-SEJ-114	4"	DN100	114.3	152	10	16	15°
PSI-SEJ-141	5"	DN125	141.3	152	10	16	15°
PSI-SEJ-168	6"	DN150	168.3	152	10	16	15°
PSI-SEJ-219	8"	DN200	219.1	165	13	16	15°
PSI-SEJ-273	10"	DN250	273.1	203	13	20	15°
PSI-SEJ-323	12"	DN300	323.8	203	13	20	15°
PSI-SEJ-355	14"	DN350	355.6	255	13	25	15°
PSI-SEJ-406	16"	DN400	406.4	255	13	25	15°
PSI-SEJ-457	18"	DN450	457.2	255	13	25	15°
PSI-SEJ-508	20"	DN500	508	255	13	25	15°
PSI-SEJ-610	24"	DN600	609.6	260	13	25	15°

DOUBLE ARCH FLOATING FLANGE EXPANSION JOINT



FEATURES AND BENEFITS

Description

- Inlet and outlet of air handling units, chillers, cooling towers Condensers.
- Air Suction and Discharge of pumps.
- Intervals in Chilled water piping.
- Installation of Flexible Expansion Joint is recommended to compensate for axial, transverse and angular pipe movements protecting the system from stress due to thermal pipe expansion or contraction.
- Due to the spherical shape of the bellow the flow of the fluid is smooth, resulting in negligible pressure drop across the joint.
- Control units for flanges are available as optional attachments and are recommended to be used at installations where the rated movements of the joint are likely to exceed even if the piping system is anchored on both sides.
- The control units consist of neoprene grommets, gusset plate, counter flanges and control rod.
- Designed to protect the joint from damage due to excessive pipe line movements.

TECHNICAL DATA

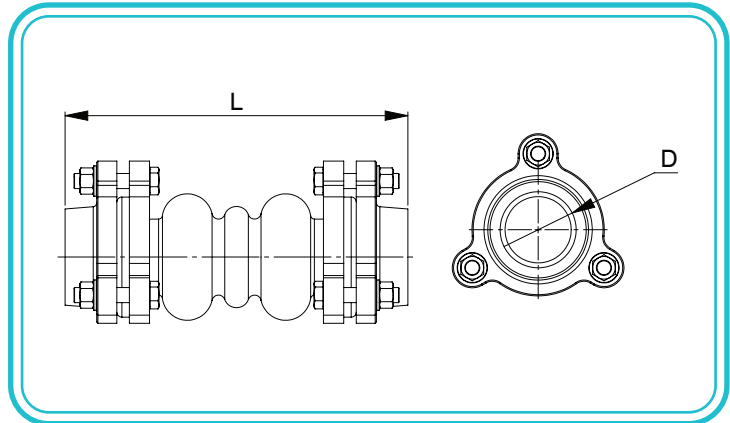
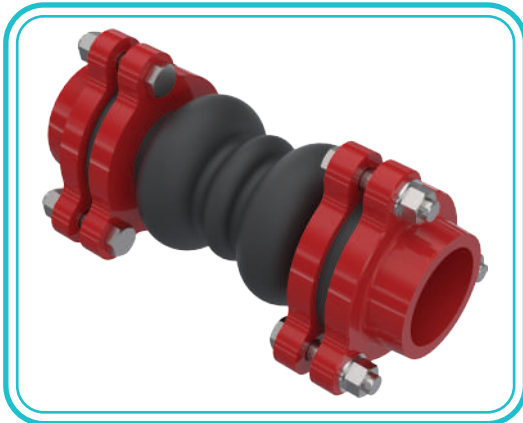
Temperature Resistance	From -15 °C to +115 °C
Working Media	Water, Compressed Air, Oil, Weak Acids/ Alkalines
Vacuum	700 mm Hg
Maximum Pressure	2" to 12" : 250 PSI / 17 14" to 20" : 140 PSI / 10
Burst Pressure	2" to 12" : 650 PSI / 45 14" to 20" : 550 PSI / 40

CONSTRUCTION FEATURES

Bellow	Neoprene (NBR and EPDM available on request)
Reinforcement	Nylon cord fabric and spring steel wire
Flanges	Floating forged steel, drilled to BS4504 PN 16 (ANSI standards on request)
Finish	Epoxy powder coated for corrosion resistance

PRODUCT CODE	NOMINAL mm	PIPE SIZE mm	PIPE OD (D) mm	LENGTH (L) mm	ELONGATION mm	COMPRESSION mm	DEFLECTION ANGLE
PSI-DEJ-060	2"	DN50	60.3	130	10	13	15°
PSI-DEJ-073	2 1/2"	DN65	73	150	10	13	15°
PSI-DEJ-090	3"	DN80	88.9	150	10	13	15°
PSI-DEJ-114	4"	DN100	114.3	152	10	16	15°
PSI-DEJ-141	5"	DN125	141.3	152	10	16	15°
PSI-DEJ-168	6"	DN150	168.3	152	10	16	15°
PSI-DEJ-219	8"	DN200	219.1	165	13	16	15°
PSI-DEJ-273	10"	DN250	273.1	203	13	20	15°
PSI-DEJ-323	12"	DN300	323.8	203	13	20	15°
PSI-DEJ-355	14"	DN350	355.6	255	13	25	15°
PSI-DEJ-406	16"	DN400	406.4	255	13	25	15°
PSI-DEJ-457	18"	DN450	457.2	255	13	25	15°
PSI-DEJ-508	20"	DN500	508	255	13	25	15°
PSI-DEJ-610	24"	DN600	609.6	260	13	25	15°

FLEXIBLE PIPE CONNECTOR - TRIANGULAR TYPE



FEATURES AND BENEFITS

Description

- Inlet and outlet of fan coil units, Air Handling Units, Chillers and Condensers.
- Air Suction and Discharge of pumps.
- Intervals in Chilled water piping .
- Installation of Flexible Pipe Connectors is recommended to allow for axial pipe movement due to thermal expansion or contraction, thereby protecting the building structure from damaging stress. These connectors also help to isolate the low and high frequency vibration transmitted through pipe walls.
- The triangular flange design offer much better reliability, Safety and convenience as compared to union type connectors.
- Allows for both Axial and Horizontal movement.
- Unique pressurized steel wire strand for additional safety.

TECHNICAL DATA

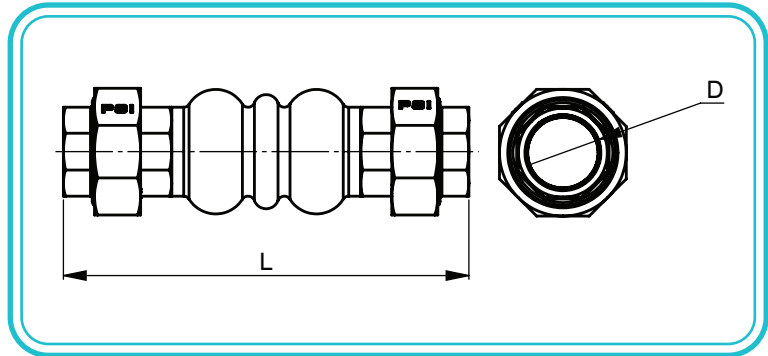
Temperature Resistance	From -15 °C to +115 °C
Working Media	Water, Compressed Air, Oil, Weak Acids / Alkalines
Vacuum	700 mm Hg
Maximum Pressure	290 PSI / 20 bar
Burst Pressure	650 PSI / 45 bar
Standards	As per BS5150 : 1974

CONSTRUCTION FEATURES

Bellow	Neoprene / EPDM
Reinforcement	Nylon cord fabric
Pressurized Ring	Steel Wire Strand
Flanges	Forged steel, Thread to BS 21. NPT on request.
Finish	Epoxy powder coated for corrosion resistance. Floating triangular thread design. Nuts & bolts galvanised

PRODUCT CODE	NOMINAL mm	PIPE SIZE mm	PIPE OD (D) mm	LENGTH (L) mm	ELONGATION mm	COMPRESSION mm	DEFLECTION ANGLE
PSI-FPC-060	1/2"	DN15	21.3	160	6	22	45°
PSI-FPC-073	3/4"	DN20	26.7	160	6	22	45°
PSI-FPC-090	1"	DN25	33.4	160	6	22	45°
PSI-FPC-114	1 1/4"	DN32	42.1	160	6	22	45°
PSI-FPC-141	1 1/2"	DN40	48.2	160	6	22	45°
PSI-FPC-168	2"	DN50	60.3	180	6	22	45°
PSI-FPC-219	2 1/2"	DN65	73	240	10	24	45°

FLEXIBLE PIPE CONNECTOR - UNION TYPE



FEATURES AND BENEFITS

Description

- Inlet and outlet of fan coil units, Air Handling Units, Chillers and Condensers.
- Air Suction and Discharge of pumps.
- Intervals in Chilled water piping .
- Installation of Flexible Pipe Connectors is recommended to allow for axial pipe movement due to thermal expansion or contraction, thereby protecting the building structure from damaging stress. These connectors also help to isolate the low and high frequency vibration transmitted through pipe walls.
- Allows for both Axial and Horizontal movement.
- Unique pressurized steel wire strand for additional safety.

TECHNICAL DATA

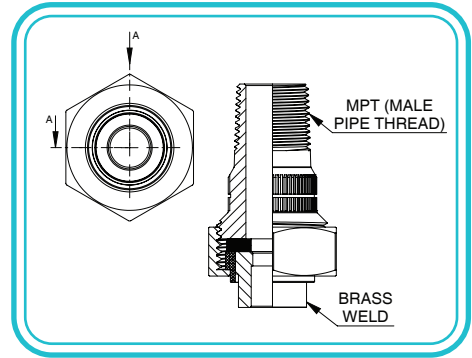
Temperature Resistance	From -15 °C to +115 °C
Working Media	Water, Compressed Air, Oil, Weak Acids / Alkalines
Vacuum	700 mm Hg
Maximum Pressure	250 PSI / 17 bar
Burst Pressure	650 PSI / 45 bar
Standards	As per BS5150 : 1974

CONSTRUCTION FEATURES

Bellow	Neoprene / EPDM
Reinforcement	Nylon cord fabric
Pressurized Ring	Steel Wire Strand
Flanges	Forged steel, Thread to BS 21. NPT on request.
Finish	Epoxy powder coated for corrosion resistance. Floating triangular thread design.

PRODUCT CODE	NOMINAL INCHES	PIPE SIZE mm	PIPE OD (D) mm	LENGTH (L) mm	ELONGATION mm	COMPRESSION mm	DEFLECTION ANGLE
PSI-FPCU-022	1/2"	DN15	21.3	155	6	22	45°
PSI-FPCU-027	3/4"	DN20	26.7	155	6	22	45°
PSI-FPCU-034	1"	DN25	33.4	155	6	22	45°
PSI-FPCU-042	1 1/4"	DN32	42.1	155	6	22	45°
PSI-FPCU-048	1 1/2"	DN40	48.2	175	6	22	45°
PSI-FPCU-060	2"	DN50	60.3	175	6	22	45°
PSI-FPCU-073	2 1/2"	DN65	73	240	10	24	45°

DIELECTRIC UNION - MPT X WELD BRASS



FEATURES AND BENEFITS

Description

- Designed for installation of two non similar pipes to prevent corrosion and deterioration in piping systems due to galvanic and stray current.
- Electro galvanized threaded steel body with integral sweat end on one side with brass threaded / solder coupler.
- Dielectric coupler sleeve and separator gasket to prevent metal to metal contact
- Lead free construction to comply with lead free installation requirements.

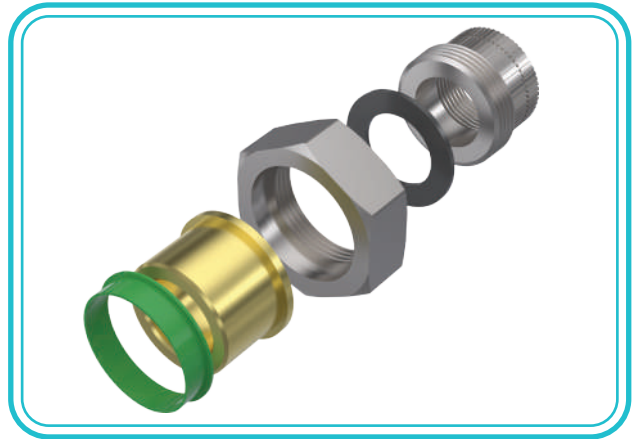
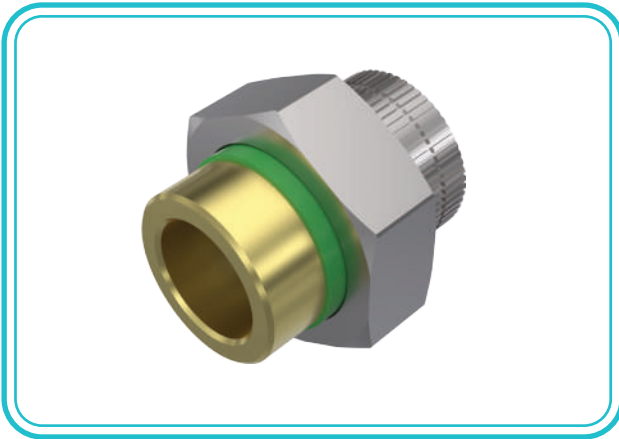
TECHNICAL DATA

Temperature Resistance	From -30 °C to +120 °C
Maximum Pressure	250 PSI / 17 bar
Standard	Electro galvanised as per ASTM B 633
Dielectric Strength	ASTM D149, BS 2782, DIN 53483

NO.	PART	MATERIAL
1	IPS Connection	Zinc Coated Steel
2	Nut	Zinc Coated Steel
3	Gasket	Nitrile
4	Solder Connection	Brass
5	Insert	Nylon

PRODUCT CODE	NOMINAL INCHES	PIPE SIZE (mm)	PIPE OD (D) mm
PS-DUMWB-022	1/2"	DN15	21.3
PS-DUMWB-028	3/4"	DN20	26.7
PS-DUMWB-034	1"	DN25	33.4
PS-DUMWB-042	1 1/4"	DN32	42.1
PS-DUMWB-048	1 1/2"	DN40	48.2
PS-DUMWB-060	2"	DN50	60.3

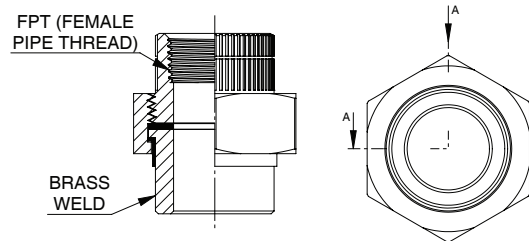
DIELECTRIC UNION - FPT X WELD BRASS



FEATURES AND BENEFITS

Description

- Designed for installation of two non similar pipes to prevent corrosion and deterioration in piping systems due to galvanic and Stray current.
- Electro galvanized threaded steel body with integral sweat end on one side with brass threaded / solder coupler.
- Dielectric coupler sleeve and separator gasket to prevent metal to metal contact
- Lead free construction to comply with lead free installation requirements.



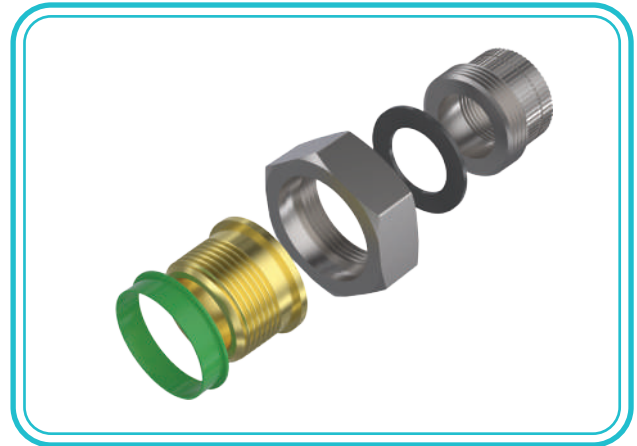
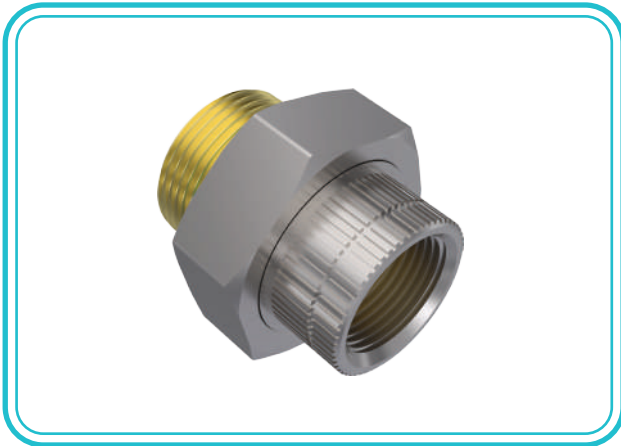
TECHNICAL DATA

Temperature Resistance	From -30 °C to +120 °C
Maximum Pressure	250 PSI / 17 bar
Standard	Electro galvanized as per ASTM B 633
Dielectric Strength	ASTM D149, BS 2782, DIN 53483

NO.	PART	MATERIAL
1	IPS Connection	Zinc Coated Steel
2	Nut	Zinc Coated Steel
3	Gasket	Nitrile
4	Solder Connection	Brass
5	Insert	Nylon

PRODUCT CODE	NOMINAL INCHES	PIPE SIZE (mm)	PIPE OD (D) mm
PSI-DUFWB-022	1/2"	DN15	21.3
PSI-DUFWB-028	3/4"	DN20	26.7
PSI-DUFWB-034	1"	DN25	33.4
PSI-DUFWB-042	1 1/4"	DN32	42.1
PSI-DUFWB-048	1 1/2"	DN40	48.2
PSI-DUFWB-060	2"	DN50	60.3

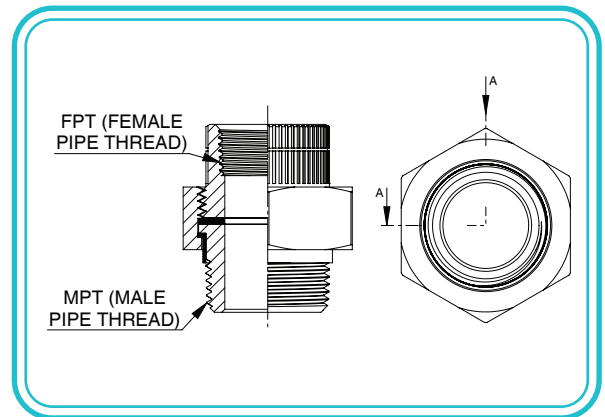
DIELECTRIC UNION - FPT X MPT



FEATURES AND BENEFITS

Description

- Designed for installation of two non similar pipes to prevent corrosion and deterioration in piping systems due to galvanic and Stray current.
- Electro galvanized threaded steel body with integral sweat end on one side with brass threaded / solder coupler.
- Dielectric coupler sleeve and separator gasket to prevent metal to metal contact
- Lead free construction to comply with lead free installation requirements.



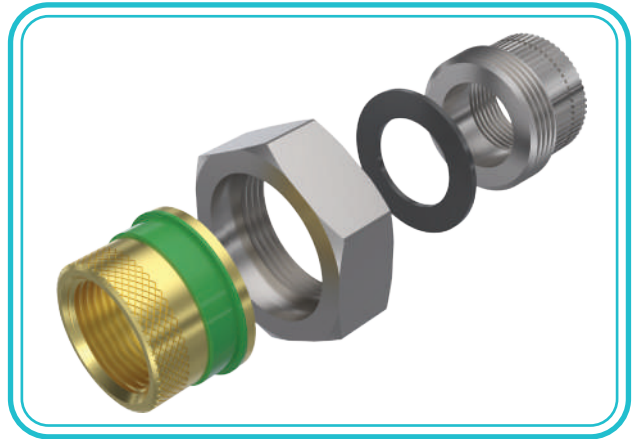
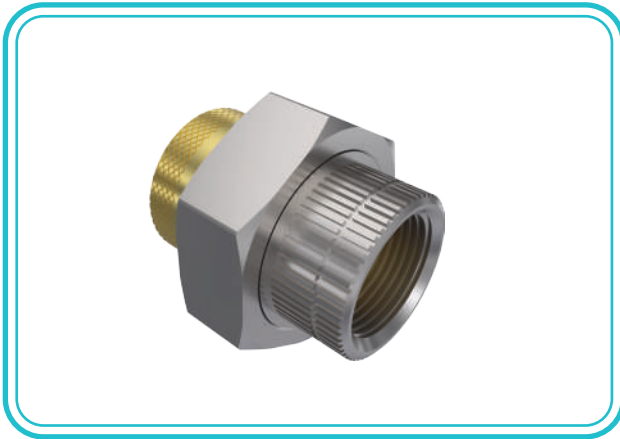
TECHNICAL DATA

Temperature Resistance	From - 30 °C to +120 °C
Maximum Pressure	250 PSI / 17 bar
Standard	Electro galvanised as per ASTM B 633
Dielectric Strength	ASTM D149, BS 2782, DIN 53483

NO.	PART	MATERIAL
1	IPS Connection	Zinc Coated Steel
2	Nut	Zinc Coated Steel
3	Gasket	Nitrile
4	Solder Connection	Brass
5	Insert	Nylon

PRODUCT CODE	NOMINAL INCHES	PIPE SIZE mm	PIPE OD (D) mm
PSI-FDUFMW-022	1/2"	DN15	21.3
PSI-FDUFMW-028	3/4"	DN20	26.7
PSI-FDUFMW-034	1"	DN25	33.4
PSI-FDUFMW-042	1 1/4"	DN32	42.1
PSI-FDUFMW-048	1 1/2"	DN40	48.2
PSI-FDUFMW-060	2"	DN50	60.3

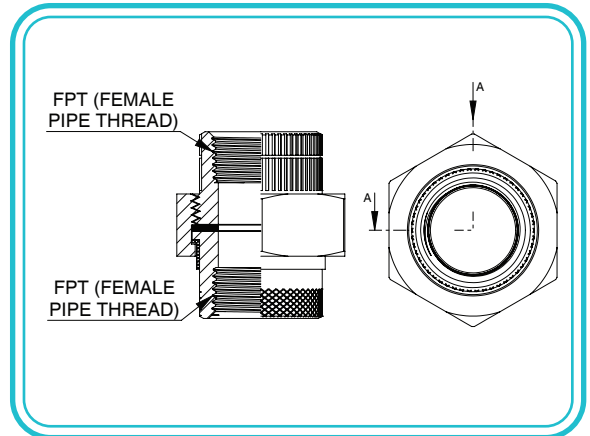
DIELECTRIC UNION- FPT X FPT



FEATURES AND BENEFITS

Description

- Designed for installation of two non similar pipes to prevent corrosion and deterioration in piping systems due to galvanic and Stray current.
- Electro galvanized threaded steel body with integral sweat end on one side with brass threaded / solder coupler.
- Dielectric coupler sleeve and separator gasket to prevent metal to metal contact
- Lead free construction to comply with lead free installation requirements.



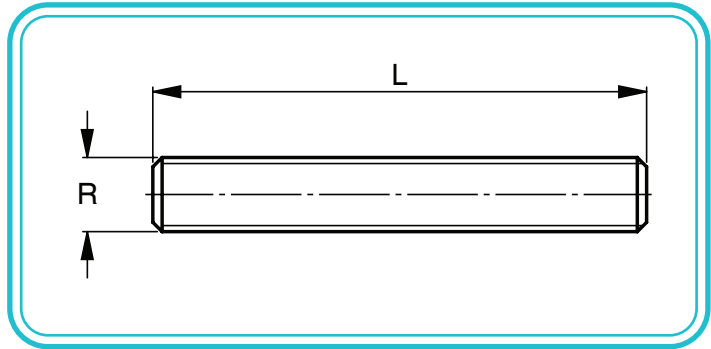
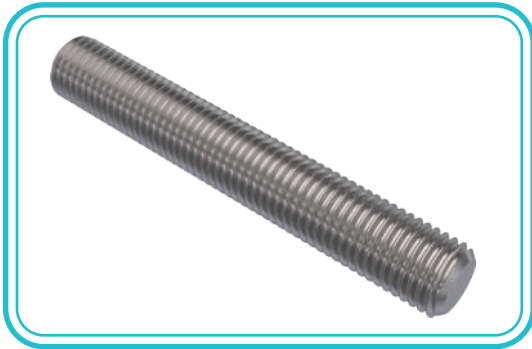
TECHNICAL DATA

Temperature Resistance	From - 30 °C to +120 °C
Maximum Pressure	250 PSI / 17 bar
Standard	Electro galvanised as per ASTM B 633
Dielectric Strength	ASTM D149, BS 2782, DIN 53483

NO.	PART	MATERIAL
1	IPS Connection	Zinc Coated Steel
2	Nut	Zinc Coated Steel
3	Gasket	Nitrile
4	Solder Connection	Brass
5	Insert	Nylon

PRODUCT CODE	NOMINAL INCHES	PIPE SIZE mm	PIPE OD (D) mm
PSI-DUFF-022	1/2"	DN15	21.3
PSI-DUFF-028	3/4"	DN20	26.7
PSI-DUFF-034	1"	DN25	33.4
PSI-DUFF-042	1 1/4"	DN32	42.1
PSI-DUFF-048	1 1/2"	DN40	48.2
PSI-DUFF-060	2"	DN50	60.3

THREADED ROD



FEATURES AND BENEFITS	
Material	<ul style="list-style-type: none"> Mild Steel, Carbon Steel, Alloy Steel & Stainless Steel
Standards	<ul style="list-style-type: none"> ASTM/ ASME/ DIN/ BS EN ISO / JIS
Threads	<ul style="list-style-type: none"> UNC, 8UN, UNF, Metric Coarse and Metric Fine.
Size Range	<ul style="list-style-type: none"> M6 to M100 in Metric series. 1/4" to 4" in Imperial Bigger sizes can be manufactured as per order.

TYPICAL GRADES & STANDARDS
ASTM A193 Grade B7, B7M, B8, BBM & B16
ASTM A320 Grade L7 & L7M
BS 3692 / BS 4190 Grade 4.6, 4.8, 5.6, 5.8, 8.8
Stainless Steel 304, 304L, 316, 316L, A2-70 / 80, A4-70 / 80

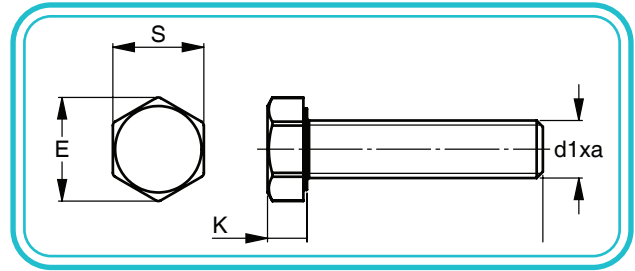
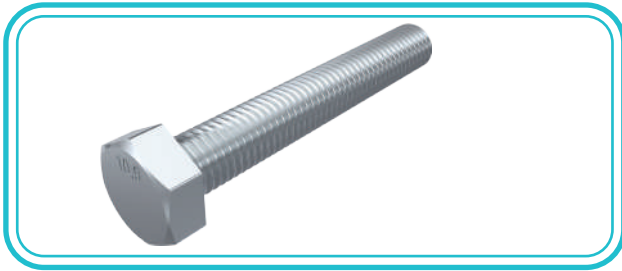
ORDERING INFORMATION
Dimensions - Size
Standards and Grade
Finish (Black, GI, Yellow, HDG, Cadmium, Nickel, PTFE etc)

PRODUCT CODE	THREADED ROD SIZE (R)	LENGTH L (mm)	PITCH (mm)	MINIMUM PROOF LOAD N (mm)
PSI-TR-06	M6	3000	1	4.5
PSI-TR-08	M8	3000	1.25	8.2
PSI-TR-10	M10	3000	1.5	13.1
PSI-TR-12	M12	3000	1.75	19
PSI-TR-14	M14	3000	2	25.9
PSI-TR-16	M16	3000	2	35.3
PSI-TR-18	M18	3000	2.5	43.2
PSI-TR-20	M20	3000	2.5	55.1
PSI-TR-22	M22	3000	2.5	68.2
PSI-TR-24	M24	3000	3	79.4
PSI-TR-27	M27	3000	3	103
PSI-TR-30	M30	3000	3.5	126
PSI-TR-33	M33	3000	3.5	156
PSI-TR-36	M36	3000	4	184
PSI-TR-39	M39	3000	4	220
PSI-TR-42	M42	3000	4.5	252
PSI-TR-45	M45	3000	4.5	331
PSI-TR-48	M48	3000	5	396
PSI-TR-52	M52	3000	5	602

NOTE :

- OTHER DIMENSIONS AVAILABLE ON REQUEST.
- (a) EP - MICRONS: 5µ- 8µ (b) HDG - MICRONS : 30µ - 55µ

HEX BOLT (DIN 933)



FEATURES AND BENEFITS

Description	<ul style="list-style-type: none"> Hex bolts can be used for many different applications that include fastening wood, steel, and other construction materials for projects such as docks, bridges, highway structures and buildings. Hex bolts with forged heads are also commonly used as headed anchor bolts.
Material	<ul style="list-style-type: none"> Mild Steel, Carbon Steel, Alloy Steel & Stainless Steel.
Standards	<ul style="list-style-type: none"> ASTM/ ASME/ DIN/ BS EN ISO / JIS
Threads	<ul style="list-style-type: none"> UNC, 8UN, UNF, Metric Coarse and Metric Fine.
Size Range	<ul style="list-style-type: none"> M6 to M64 in Metric series. 0.25" to 2.50" in Imperial Bigger sizes can be manufactured as per order.

TYPICAL GRADES & STANDARDS

- BS3692 / BS4190 grade 4.6, 4.8, 5.6, 5.8, 8.8, 10.9 and 12.9
- ASTM A307 Grade A and B
- ASTM A325
- ASTM A193 Grade B7, B7M, B8, BBM & B16
- ASTM A320 Grade L7 & L7M
- Stainless Steel 304, 304L, 316, 316L, A2-70 / 80, A4-70 / 80

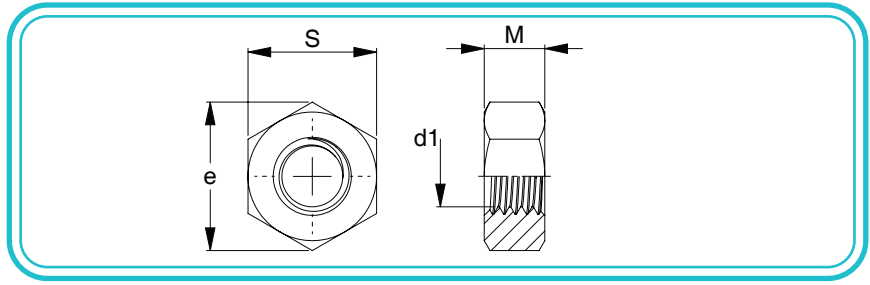
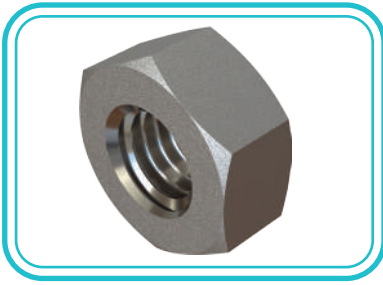
ORDERING INFORMATION

Dimensions — Size Dia and Length.
Standards and Grade
Finish (Black, GI, Yellow, HDG, Cadmium, Nickel, PTFE etc)
Nut and washer quantity

PRODUCT CODE	SIZE (d1)	S (mm)	E (mm)	k (mm)
PSI-HB-03	M3	5.5	6.01	2
PSI-HB-04	M4	7	7.66	2.8
PSI-HB-05	M5	8	8.79	3.5
PSI-HB-06	M6	10	11.05	4
PSI-HB-08	M8	13	14.38	5.3
PSI-HB-10	M10	17	18.9	6.4
PSI-HB-12	M12	19	21.1	7.5
PSI-HB-14	M14	22	24.49	8.8
PSI-HB-16	M16	24	26.75	10
PSI-HB-18	M18	27	30.14	11.5
PSI-HB-20	M20	30	33.53	12.5
PSI-HB-22	M22	32	35.72	14
PSI-HB-24	M24	36	39.98	15
PSI-HB-27	M27	41	45.2	17
PSI-HB-30	M30	46	50.85	18.7
PSI-HB-33	M33	50	55.37	21
PSI-HB-36	M36	35	60.79	22.5
PSI-HB-39	M39	60	66.44	25
PSI-HB-42	M42	65	71.3	26
PSI-HB-45	M45	69	76.95	28
PSI-HB-48	M48	75	82.6	30
PSI-HB-52	M52	80	88.25	33.5

NOTE : • OTHER DIMENSIONS & FINISHES AVAILABLE ON REQUEST.

HEX NUT (DIN 934)



FEATURES AND BENEFITS

Material	<ul style="list-style-type: none"> Mild Steel, Carbon Steel, Alloy Steel & Stainless Steel.
Standards	<ul style="list-style-type: none"> ASTM / ASME / DIN / BS EN ISO / JIS
Threads	<ul style="list-style-type: none"> UNC, 8UN, UNF, Metric Coarse and Metric Fine.
Size Range	<ul style="list-style-type: none"> M6 to M64 in Metric series. 0.25" to 2.50" in Imperial Bigger sizes can be manufactured as per order.

TYPICAL GRADES & STANDARDS

DIN 934 Class 4, 8, 10, 12, A270, A280, A470 and A480.
 ASTM A194/ A194M Grades 2H, 2HM, 4L, 7L and 7LM.
 ASTM A563/ 563M Grades 8, 10S, A, B, C, D, DH, Dh3.
 Stainless Steel 304, 304L, 316, 316L, A2-70/ 80, A4-70/ 80.

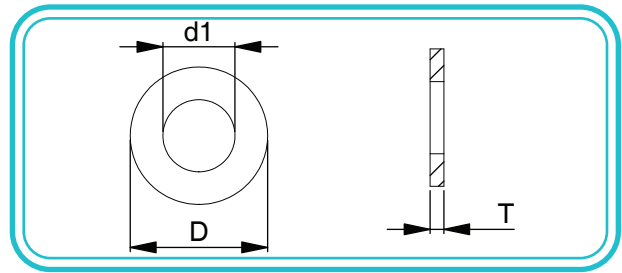
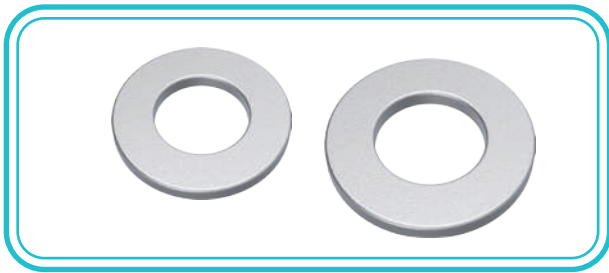
ORDERING INFORMATION

Dimensions — Size Dia and Length.
 Standards and Grade
 Finish (Black, GI, Yellow, HDG, Cadmium, Nickel, PTFE etc)

PRODUCT CODE	SIZE (d1) mm	PITCH (mm)	ACROSS CORNER (e) (mm)	ACROSS FLAT(S) (mm)	THICKNESS (M) (mm)
PSI-HN-03	M3	0.5	6.01	6	2.4
PSI-HN-04	M4	0.7	7.66	7	3.2
PSI-HN-05	M5	0.8	8.76	8	4
PSI-HN-06	M6	1	11.05	10	6
PSI-HN-08	M8	1.25	14.38	13	6.5
PSI-HN-10	M10	1.5	18.9	17	8
PSI-HN-12	M12	1.75	21.1	19	10
PSI-HN-14	M14	2	24.49	22	11
PSI-HN-16	M16	2	26.75	24	13
PSI-HN-18	M18	2.5	29.56	27	15
PSI-HN-20	M20	2.5	32.95	30	16
PSI-HN-22	M22	2.5	35.03	32	18
PSI-HN-24	M24	3	39.55	36	19
PSI-HN-27	M27	3	45.2	41	22
PSI-HN-30	M30	3.5	50.85	46	24
PSI-HN-33	M33	3.5	55.37	50	26
PSI-HN-36	M36	4	60.79	55	29
PSI-HN-39	M39	4	66.44	60	31
PSI-HN-42	M42	4.5	71.3	65	34
PSI-HN-45	M45	4.5	76.95	70	36
PSI-HN-48	M48	5	82.6	75	38
PSI-HN-52	M52	5	88.25	80	42
PSI-HN-56	M56	5.5	93.56	85	45
PSI-HN-64	M64	6	104.86	95	51

NOTE : • OTHER DIMENSIONS & FINISHES AVAILABLE ON REQUEST.

WASHER (DIN 125 / A)



FEATURES AND BENEFITS

Material	<ul style="list-style-type: none"> Mild Steel, Carbon Steel, Alloy Steel & Stainless Steel.
Standards	<ul style="list-style-type: none"> ASTM / ASME / DIN / BS EN ISO / JIS
Threads	<ul style="list-style-type: none"> UNC, 8UN, UNF, Metric Coarse and Metric Fine.
Size Range	<ul style="list-style-type: none"> M6 to M64 in Metric series. 0.25" to 2.50" in Imperial Bigger sizes can be manufactured as per order.

TYPICAL GRADES & STANDARDS

DIN 125 / A, DIN 127 / B, DIN 9021
 ASTM F436 AND F436 M
 Stainless Steel 304, 304L, 316, 316L, A2-70/ 80, A4-70/ 80.

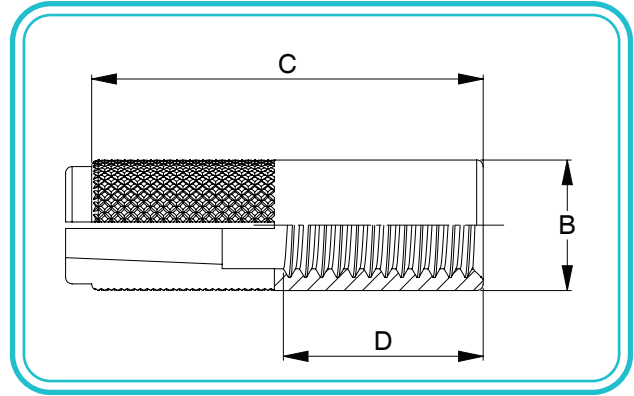
ORDERING INFORMATION

Dimensions — Size Dia and Length.
 Standards and Grade
 Finish (Black, GI, Yellow, HDG, Cadmium, Nickel, PTFE etc)

PRODUCT CODE	SIZE	INNER DIAMETER (d1) (mm)	OUTER DIAMETER(D) (mm)	THICKNESS (T) (mm)
PSI-W-03	M3	3.2	7	0.5
PSI-W-04	M4	4.3	9	0.8
PSI-W-05	M5	5.3	11	1
PSI-W-06	M6	6.4	12	1.6
PSI-W-08	M8	8.4	16	1.6
PSI-W-10	M10	10.5	20	2
PSI-W-12	M12	13	24	2.5
PSI-W-14	M14	15	28	2.5
PSI-W-16	M16	17	30	3
PSI-W-18	M18	19	34	3
PSI-W-20	M20	21	37	3
PSI-W-22	M22	23	39	3
PSI-W-24	M24	25	44	4
PSI-W-27	M27	28	50	4
PSI-W-30	M30	31	56	4
PSI-W-33	M33	34	60	5
PSI-W-36	M36	37	66	5
PSI-W-39	M39	40	72	6
PSI-W-42	M42	43	78	7
PSI-W-45	M45	46	85	7
PSI-W-48	M48	50	92	8
PSI-W-52	M52	54	98	8
PSI-W-56	M56	58	105	9
PSI-W-64	M64	66	115	9
PSI-W-72	M72	74	125	10

NOTE : • OTHER DIMENSIONS & FINISHES AVAILABLE ON REQUEST.

DROP IN ANCHOR



FEATURES AND BENEFITS

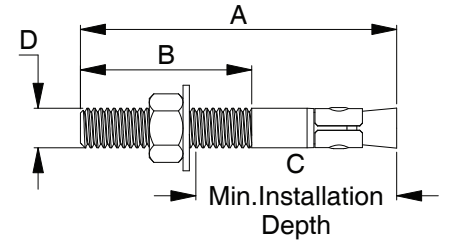
Description	<ul style="list-style-type: none"> • Medium load fixings. Anchor placement flush with the surface or deeper. Fixture detachable anytime. • Flexible in fixture thickness with variety sizes of hexagonal bolts suitable for anchoring intension zone. • Ideal for suspended type of fixtures such as pipings, air ducts, cable tray and trunkings. • Machine installation: mechanical pumps, genset and electrical switch gear. • Temporary work such as steel truss for platform, wooden form structures and safety. • Securing of pipe brackets, rails and base plates.
Material	<ul style="list-style-type: none"> • Steel, other materials on request.
Finish	<ul style="list-style-type: none"> • Electro galvanized as per ASTM B 633.

PRODUCT CODE	SIZE (mm)	ANCHOR LENGTH C (mm)	THREAD LENGTH D (mm)	DRILLED HOLE DIAMETER B (mm)	MINIMUM HOLE DEPTH (mm)	EFFECTIVE DEPTH (mm)	MINIMUM CONCRETE THICKNESS (mm)	FIXTURE HOLE DIAMETER D (mm)	PERMISSIBLE LOAD (KN)
METRIC SIZE									
PSI-DPA-06	M6	25	10	8	30	25	60	7	1.00
PSI-DPA-08	M8	30	13	10	35	30	70	9	2.00
PSI-DPA-10	M10	40	16	12	45	40	80	12	3.00
PSI-DPA-12	M12	50	21	16	55	50	100	14	4.00
PSI-DPA-16	M16	60	30	20	70	60	130	18	5.00
PSI-DPA-20	M20	80	35	25	90	80	160	22	6.00
IMPERIAL SIZE									
PSI-DPA-14	1/4"	25	10	8	30	25	60	7	1
PSI-DPA-516	5/16"	30	13	10	35	30	70	9	2
PSI-DPA-38	3/8"	40	16	12	45	40	80	12	3
PSI-DPA-012	1/2"	50	21	16	55	50	100	14	4
PSI-DPA-58	5/8"	60	30	20	70	60	130	18	5
PSI-DPA-34	3/4"	380	35	25	90	80	160	22	6

NOTE :

- OTHER DIMENSIONS & FINISHES AVAILABLE ON REQUEST.

WEDGE ANCHOR



FEATURES AND BENEFITS

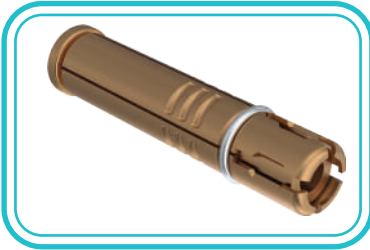
Material

- The one-piece clip is formed around Anchor, assuring full expansion for dependable superior holding power.
- Anchor can be hammered below the surface of the concrete when no longer needed.
- The test values listed beneath were obtained using 4000 PSI concrete (no aggregate).
- Does not require precise hole depth or hole cleaning out.
- Expanding clip will not fall off or twist in the hole.
- A safe working load should not exceed 25 % stated values

PRODUCT CODE	SIZE D x A	CLEARANCE HOLE DIAMETER C (mm)	EMBEDMENT DEPTH B (mm)	MAX. FIXTURE THICKNESS (mm)	YEILD STRENGTH (N / mm)	MICRONS (μ)	PULL OUT LOAD (μ)
PSI-WA-6/40	M6 X 40	7	27	3	400	5-8	4200
PSI-WA-6/55	M6 X 55	7	35	15	400	5-8	4200
PSI-WA-6/70	M6 X 70	7	35	30	400	5-8	4200
PSI-WA-6/95	M6 X 95	7	35	55	400	5-8	4200
PSI-WA-8/50	M8 X 50	9	35	10	400	5-8	10000
PSI-WA-8/65	M8 X 65	9	40	20	400	5-8	10000
PSI-WA-8/80	M8 X 80	9	40	35	400	5-8	10000
PSI-WA-8/95	M8 X 95	9	40	50	400	5-8	10000
PSI-WA-8/120	M8 X 120	9	40	60	400	5-8	10000
PSI-WA-8/150	M8 X 150	9	40	75	400	5-8	10000
PSI-WA-8/165	M8 X 165	9	40	135	400	5-8	10000
PSI-WA-8/220	M8 X 220	9	40	175	400	5-8	10000
PSI-WA-10/65	M10 X 65	12	40	15	400	5-8	14000
PSI-WA-10/80	M10 X 80	12	50	20	400	5-8	14000
PSI-WA-10/95	M10 X 95	12	50	35	400	5-8	14000
PSI-WA-10/115	M10 X 115	12	50	55	400	5-8	14000
PSI-WA-10/120	M10 X 120	12	50	60	400	5-8	14000
PSI-WA-10/130	M10 X 130	12	50	70	400	5-8	14000
PSI-WA-12/80	M12 X 80	14	50	20	400	5-8	16500
PSI-WA-12/100	M12 X 100	14	60	30	400	5-8	16500
PSI-WA-12/120	M12 X 120	14	60	50	400	5-8	18500
PSI-WA-12/135	M12 X 135	14	60	65	400	5-8	18500
PSI-WA-12/150	M12 X 150	14	60	80	400	5-8	18500
PSI-WA-16/105	M16 X 105	18	70	15	220	5-8	28000
PSI-WA-16/140	M16 X 140	18	80	40	220	5-8	28000
PSI-WA-16/180	M16 X 180	18	80	82	220	5-8	28000
PSI-WA-16/220	M16 X 220	18	80	120	220	5-8	28000
PSI-WA-20/125	M20 X 125	22	85	15	220	5-8	29000
PSI-WA-20/160	M20 X 160	22	100	40	220	5-8	39000
PSI-WA-20/200	M20 X 200	22	100	80	220	5-8	39000
PSI-WA-20/300	M20 X 300	22	100	180	220	5-8	39000

NOTE : • OTHER DIMENSIONS & FINISHES AVAILABLE ON REQUEST.

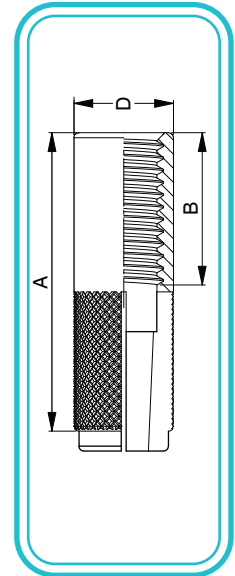
DRAW IN ANCHOR



FEATURES AND BENEFITS

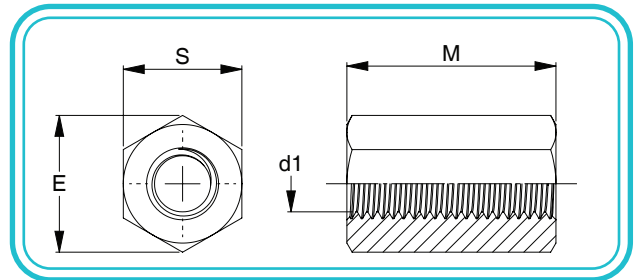
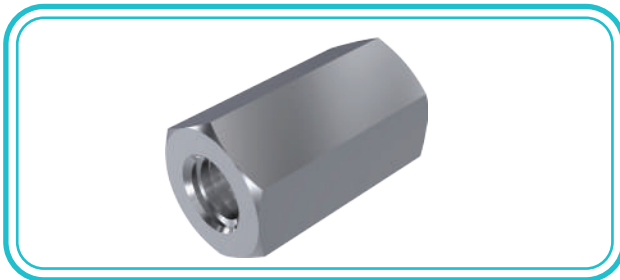
Description

- Can be used with standard hex bolt or stud
- The extending tonques prevent co-rotation during installation.
- Bolt length, $l = L + t$.
- Stud length, $l = L + t + \text{thickness of washer \& nut}$.
- A safe working load should not exceed 25% stated values.



PRODUCT CODE	SIZE (mm)	SHIELD LENGTH (mm)	HOLE DIAMETER D mm	LENGTH OF ANCHOR B (mm)	MICRONS (μ)
PSI-DWI-06	M6	45	12	40	5 - 8
PSI-DWI-08	M8	50	14	50	5 - 8
PSI-DWI-10	M10	60	16	60	5 - 8
PSI-DWI-12	M12	75	20	65	5 - 8
PSI-DWI-16	M16	115	25	90	5 - 8
PSI-DWI-20	M20	130	32	115	5 - 8

HEX COUPLING NUT



FEATURES AND BENEFITS

- | | |
|-------------------|--|
| Material | • Mild Steel, Carbon Steel, Alloy Steel & Stainless Steel. |
| Standards | • ASTM/ ASME/ DIN/ BS EN ISO / JIS |
| Threads | • UNC, 8UN, UNF, Metric Coarse and Metric Fine. |
| Size Range | • M6 to M100 in Metric series.
• 1/4" to 2 1/2" in Imperial
• Bigger sizes can be manufactured as per order. |

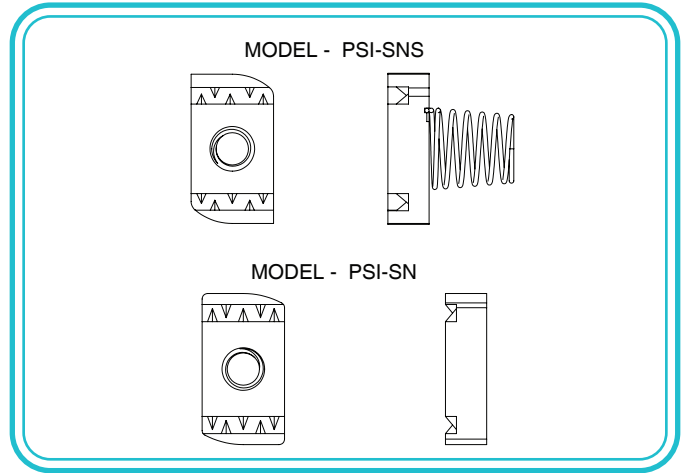
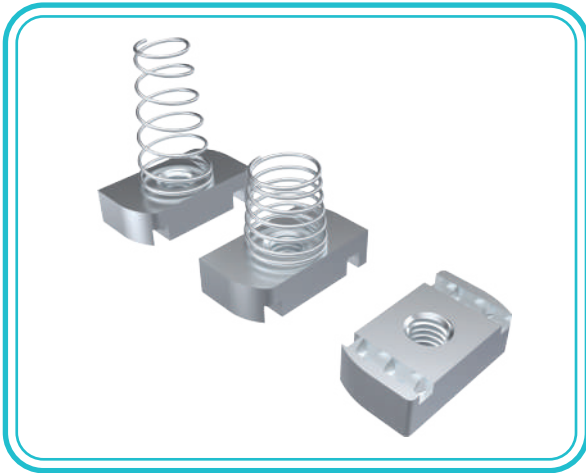
ORDERING INFORMATION

Dimensions - Size
Standards and Grade
Finish (Black, GI, Yellow, HDG, Cadmium, Nickel, PTFE etc)

PRODUCT CODE	SIDE (d1) (mm)	PITCH (mm)	ACROSS CORNER (E) mm	ACROSS FLAT (S) mm	LENGTH M (mm)
PSI-HCN-06	M6	1	11.05	10	18
PSI-HCN-03	M8	1.25	14.38	13	24
PSI-HCN-10	M10	1.5	18.9	17	30
PSI-HCN-12	M12	1.75	21.1	19	36
PSI-HCN-14	M14	2	24.49	22	42
PSI-HCN-16	M16	2	26.75	24	48
PSI-HCN-13	M18	2.9	29.56	27	54
PSI-HCN-20	M20	2.9	32.95	30	60
PSI-HCN-22	M22	2.9	35.03	32	66
PSI-HCN-24	M24	3	39.55	36	72
PSI-HCN-27	M27	3	45.2	41	81
PSI-HCN-30	M30	3.5	50.85	46	90
PSI-HCN-36	M36	4	60.79	55	108

NOTE : • OTHER DIMENSIONS & FINISHES AVAILABLE ON REQUEST.

SPRING NUT



FEATURES AND BENEFITS

Description	<ul style="list-style-type: none"> • For all types of Strut Channels • For tight fixing of accessories on rail
Material	<ul style="list-style-type: none"> • Steel ,other materials on request
Finish	<ul style="list-style-type: none"> • Electro galvanized as per ASTM B 633 • Galvanised as per ASTM A 123 / A123M

PRODUCT CODE	SIZE (mm)	SPRING LENGTH (mm)	FOR RAIL	T (max.) (Nm)	MAX LOAD (N)
PSI-SN-06	M6	NA	Strut	7.5	5300
PSI-SN-SN08	M8	NA	Strut	15	6000
PSI-SN-SN10	M10	NA	Strut	15	9500
PSI-SN-SN12	M12	NA	Strut	30	10000
PSI-SNS-06	M6	13	Strut 41 x 21	7.5	5300
PSI-SNS-08	M8	13	Strut 41 x 21	15	6000
PSI-SNS-10	M10	13	Strut 41 x 21	15	9500
PSI-SNS-12	M12	13	Strut 41 x 21	30	10000
PSI-SNL-06	M6	33	Strut 41 x 41	7.5	5300
PSI-SNL-08	M8	33	Strut 41 x 41	15	6000
PSI-SNL-10	M10	33	Strut 41 x 41	15	9500
PSI-SNL-12	M12	33	Strut 41 x 41	30	10000

NOTE :

- OTHER DIMENSIONS AVAILABLE ON REQUEST.
- (a) EP - MICRONS : 5µ- 8µ (b) HDG - MICRONS : 70µ - 95µ

INTRODUCTION

Power Solution Industries offers a comprehensive Metal Framing System that conforms to BS 6946:1988. (Metal Channel Cable Support Systems for electrical installations)

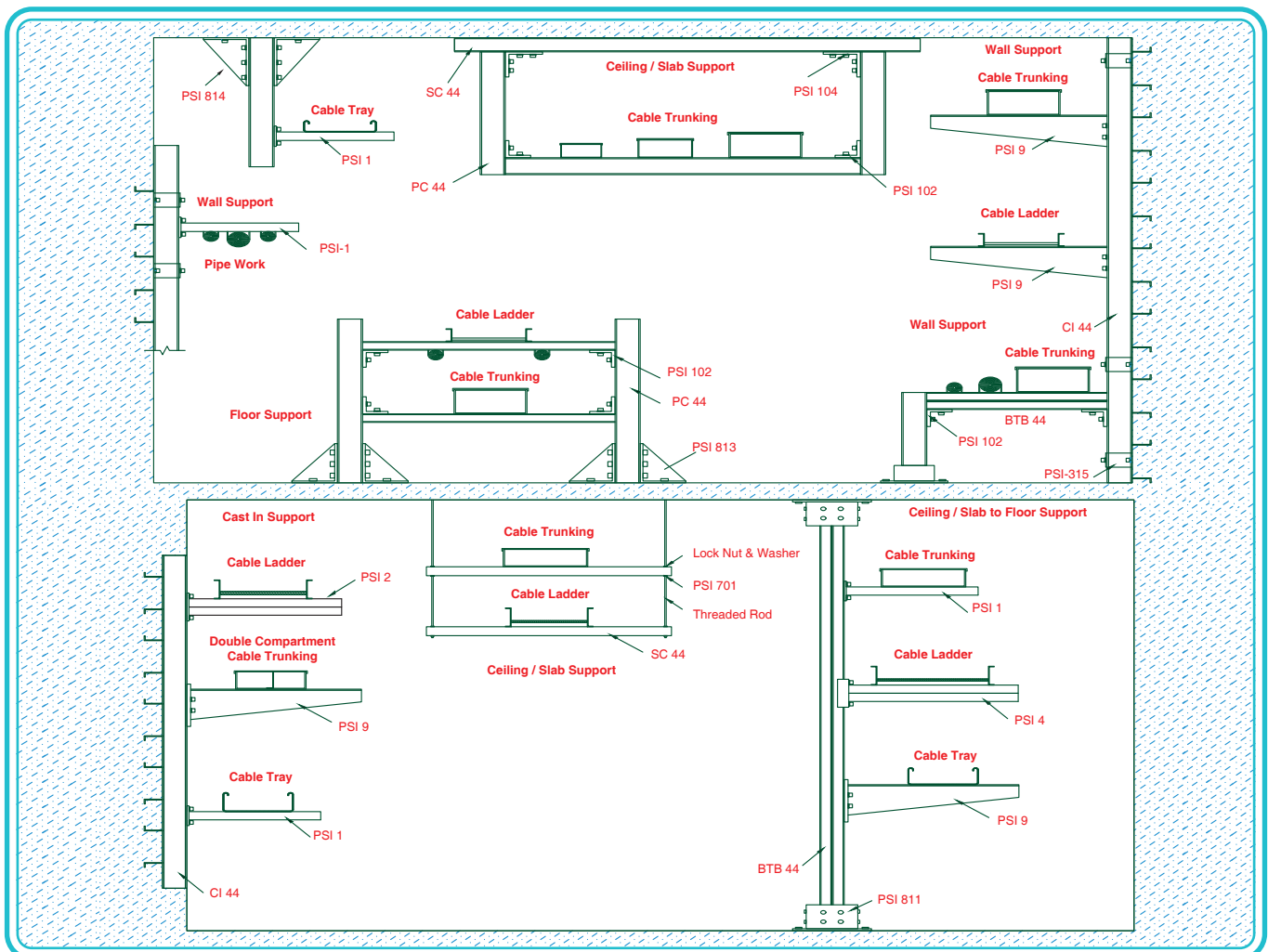
The Power Solution Industries Strut Metal Framing System incorporates the following features:

- ★ Flexibility of elements of the system can be combined to create an unlimited range of structural designs.
- ★ Rigidity of easily assembled rigid structures can be created without the need for drilling and welding.
- ★ Adjustability of the position of components can be easily adjusted & structures can be demounted and components reused.
- ★ Competitiveness & high strength to weight and ease of assembly make this as a cost effective solution to support structural requirements.
- ★ Multiple applications for structural support of mechanical as well as electrical services in a wide range of industries and construction projects.

STANDARD FINISHES

HDG	Hot dip Galvanized to BS EN ISO 1461 : 2009
PG	Pre-galvanized to BS EN 10346 : 2015
PC	Powder Coating to suit clients requirements
PP	Polypropelene Coating to suit clients requirements
SS	Stainless steel finish to required grades BS EN 10088 - 2 : 2014

PSI STRUT METAL FRAMING SYSTEM / TYPICAL SUPPORTS



STRUT CHANNELS

PLAIN CHANNEL 41 X 41 (PC 44)

Material thickness : 1.5 / 2.0 / 2.5 mm
Weight : 1.58 / 2.1 / 2.64 Kgs/m

PLAIN CHANNEL 41 X 21 (PC 42)

Material thickness : 1.5 / 2.0 / 2.5 mm
Weight : 1.11 / 1.48 / 1.84 Kgs/m

BACK TO BACK CHANNEL 41 X 41 (BTB 44)

Material thickness : 1.5 / 2.0 / 2.5 mm
Weight : 3.16 / 4.21 / 5.28 Kgs/m

BACK TO BACK CHANNEL 41 X 21 (BTB 42)

Material thickness : 1.5 / 2.0 / 2.5 mm
Weight : 2.68 / 3.58 / 4.47 Kgs/m

BOX CHANNEL 41 X 41 X 41 (BC 444)

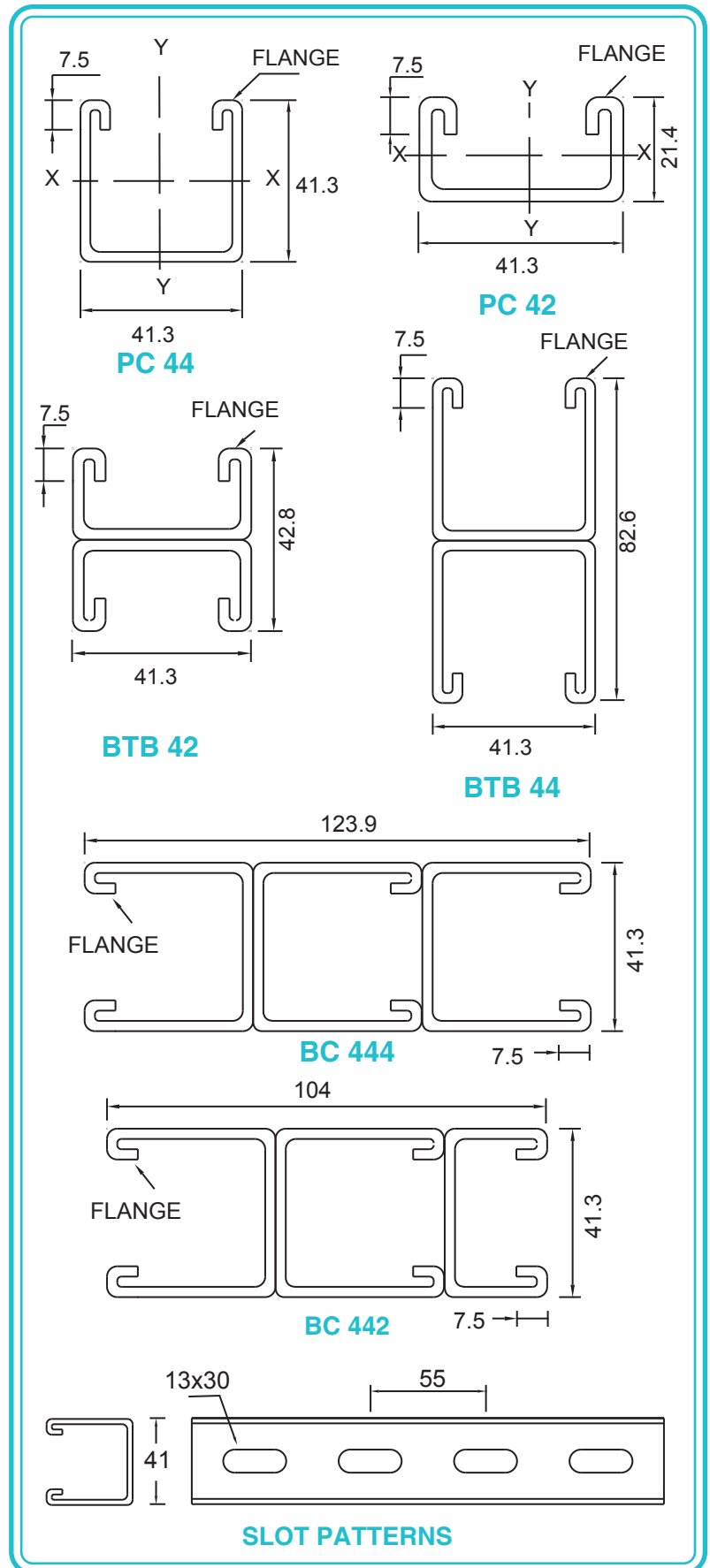
Material thickness : 1.5 / 2.0 / 2.5 mm
Weight : 4.73 / 6.31 / 7.89 Kgs/m

BOX CHANNEL 41 X 41 X 21 (BC 442)

Material thickness : 1.5 / 2.0 / 2.5 mm
Weight : 4.26 / 5.68 / 7.10 Kgs/m

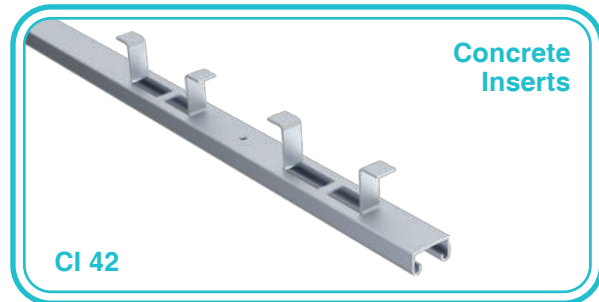
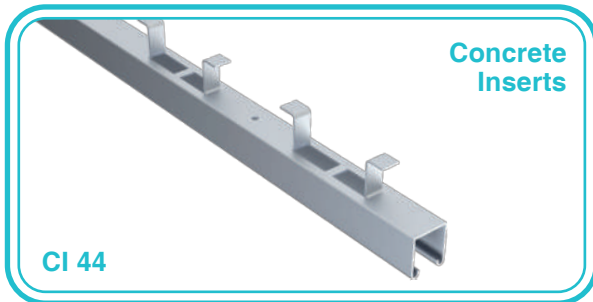
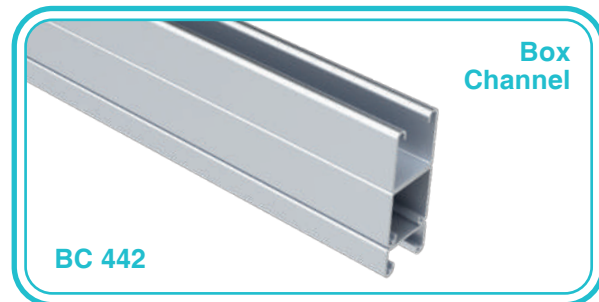
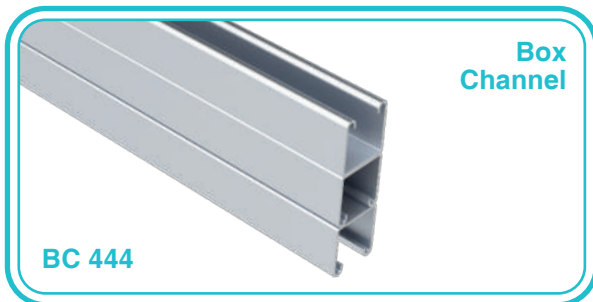
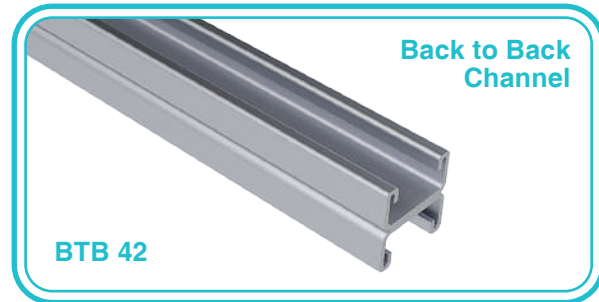
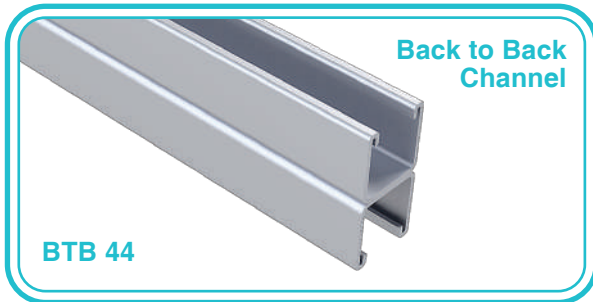
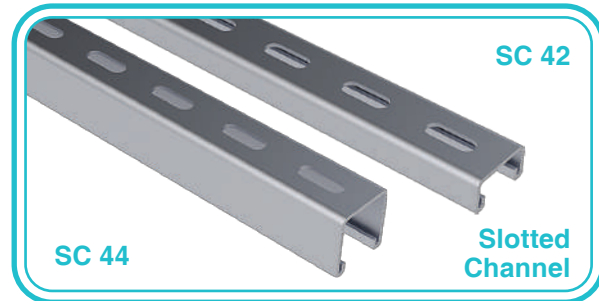
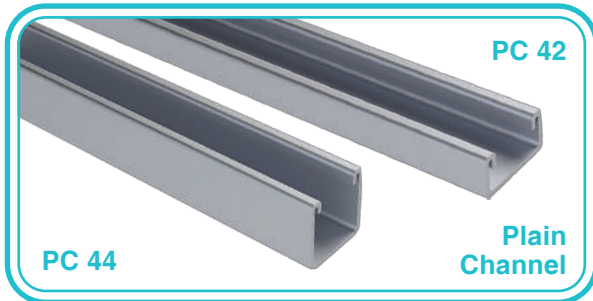
SLOT PATTERNS

Strut channels are produced with slots also with a standard length of 3 mtrs. Extra long up to 6 mtrs. can also be produced on request.



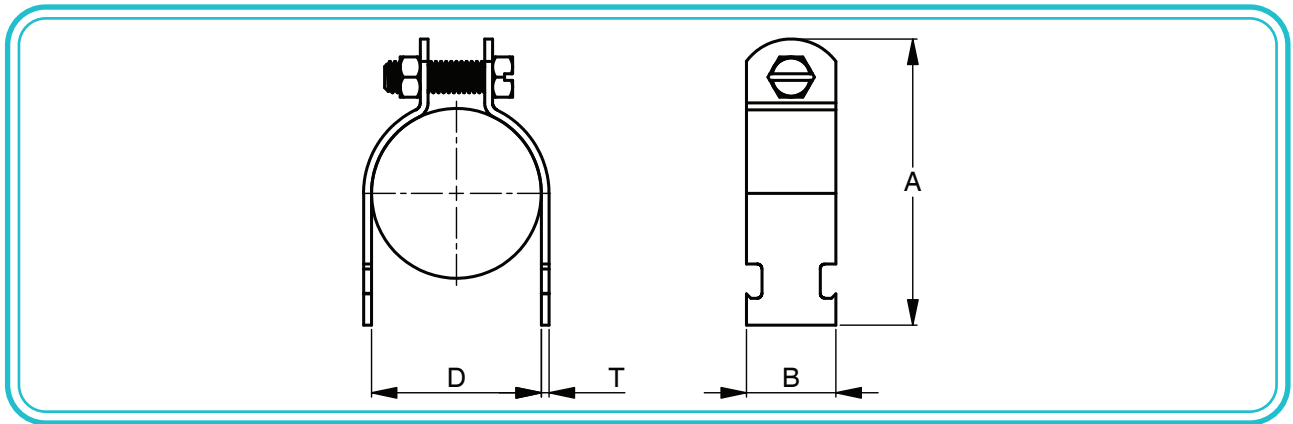
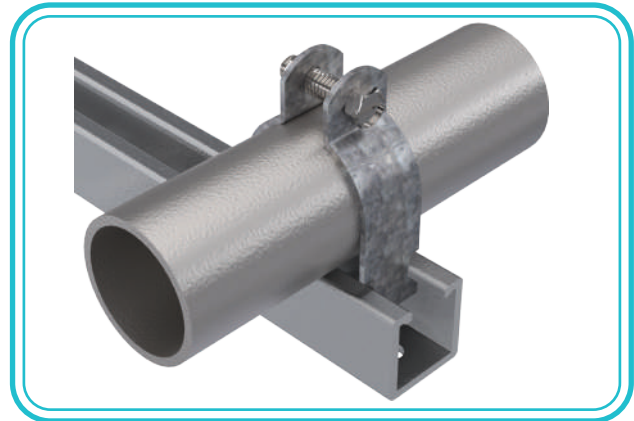
STRUT CHANNELS

DESCRIPTION	DIMENSIONS	REFERENCE	THICKNESS (THK) mm		
Plain channel	41 x 41 x 3000 mm	PC / 44 / THK / Finish	1.5	2.0	2.5
Plain channel	41 x 21 x 3000 mm	PC / 42 / THK / Finish	1.5	2.0	2.5
Slotted channel	41 x 41 x 3000 mm	SC / 44 / THK / Finish	1.5	2.0	2.5
Slotted channel	41 x 21 x 3000 mm	SC / 42 / THK / Finish	1.5	2.0	2.5
Back to Back channel	41 x 41 x 3000 mm	BTB / 44 / THK / Finish	1.5	2.0	2.5
Back to Back channel	41 x 21 x 3000 mm	BTB / 42 / THK / Finish	1.5	2.0	2.5
Box Channel	41 x 41 x 41 x 3000 mm	BC / 444 / THK / Finish	1.5	2.0	2.5
Box Channel	41 x 41 x 21 x 3000 mm	BC / 442 / THK / Finish	1.5	2.0	2.5
Concrete Inserts	41 x 41 x 3000 mm	CI / 44 / THK / Finish		2.0	2.5
Concrete Inserts	41 x 21 x 3000 mm	CI / 42 / THK / Finish		2.0	2.5
Channel End Caps	41 x 41	CEC / 44			
Channel End Caps	41 x 21	CEC / 42			



All Strut Channels are produced to the standard length of 3 mts

STRUT CLAMP



FEATURES AND BENEFITS

Description	<ul style="list-style-type: none"> • Two part clamp • For direct fixing of pipes to Strut Rail • Both ends suitable for locating into Strut Rail.
Material	<ul style="list-style-type: none"> • Steel ,other materials on request
Finish	<ul style="list-style-type: none"> • Electro galvanized as per ASTM B 633 • Galvanised as per ASTM A 123 / A123M • Designed to meet MSS Standard SP-58, type 24 & SP-69

PRODUCT CODE	NOMINAL INCHES	PIPE SIZE (mm)	PIPE OD(D) (mm)	(A) mm	(B) mm	(C) mm	FASTNER SIZE
PSI-STC-022	1/2"	DN15	21.3	50.5	14.2	25	M6 X 25
PSI-STC-027	3/4"	DN20	26.7	57.1	17.5	30	M6 X 25
PSI-STC-034	1"	DN25	33.4	63.8	20.6	38	M6 X 25
PSI-STC-042	1 1/4"	DN32	42.1	76.2	25.4	46	M6 X 25
PSI-STC-048	1 1/2"	DN40	48.2	81.5	28.4	52	M6 X25
PSI-STC-060	2"	DN50	60.3	95.8	34.8	65	M3 X 40
PSI-STC-073	2 1/2"	DN65	73	108.7	41.1	78	M3 X 40
PSI-STC-090	3"	DN80	88.9	128.3	50.8	94	M3 X 40
PSI-STC-114	4"	DN100	114.3	153.7	63.5	120	M3 X 40
PSI-STC-168	6"	DN150	168.3	220	106	172	M3 X 40

NOTE :

- OTHER DIMENSIONS AVAILABLE ON REQUEST.
- (a) EP - MICRONS: 8µ- 15µ (b) HDG - MICRONS : 70µ - 95µ

CANTILEVERS

DESCRIPTION	SIZE	REFERENCE
All dimensions are in mm		
Cantilever Arm	75	TYPE / CA / 75 / THK / Finish
Cantilever Arm	100	TYPE / CA / 100 / THK / Finish
Cantilever Arm	150	TYPE / CA / 150 / THK / Finish
Cantilever Arm	225	TYPE / CA / 225 / THK / Finish
Cantilever Arm	300	TYPE / CA / 300 / THK / Finish
Cantilever Arm	450	TYPE / CA / 450 / THK / Finish
Cantilever Arm	600	TYPE / CA / 600 / THK / Finish
Cantilever Arm	750	TYPE / CA / 750 / THK / Finish
Cantilever Arm	900	TYPE / CA / 900 / THK / Finish
Cantilever Arm	1000	TYPE / CA / 1000 / THK / Finish

DESCRIPTION	TYPE
Cantilever Arm	PSI 1
Cantilever Arm	PSI 2
Cantilever Arm	PSI 3
Cantilever Arm	PSI 4
Cantilever Arm	PSI 5
Cantilever Arm	PSI 6
Cantilever Arm	PSI 7
Cantilever Arm	PSI 8
Cantilever Arm	PSI 9
Cantilever Arm	PSI 10



STANDARD FINISHES

- HDG** Hot dip Galvanized to BS EN ISO 1461 : 2009
- PG** Pre-galvanized to BS EN 10346 : 2015
- PC** Powder Coating to suit clients requirements
- PP** Polypropelene Coating to suit clients requirements
- SS** Stainless steel finish to required grades BS EN 10088 - 2 : 2014

- To order the Cantilever Arms for your designed installation, specify the type of the Cantilever that is required.
- Thickness of the Cantilever is to be considered 2.0 mm if not specified.
- Types are given in the table above and displayed on the next page.

CANTILEVERS

PSI 1



PSI 2



PSI 3



PSI 4



PSI 5



PSI 6



PSI 7



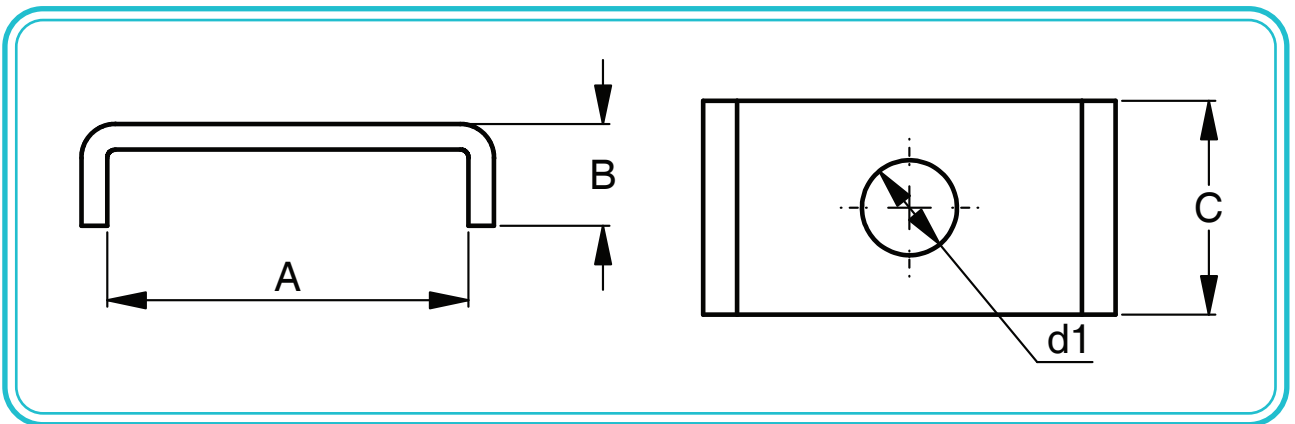
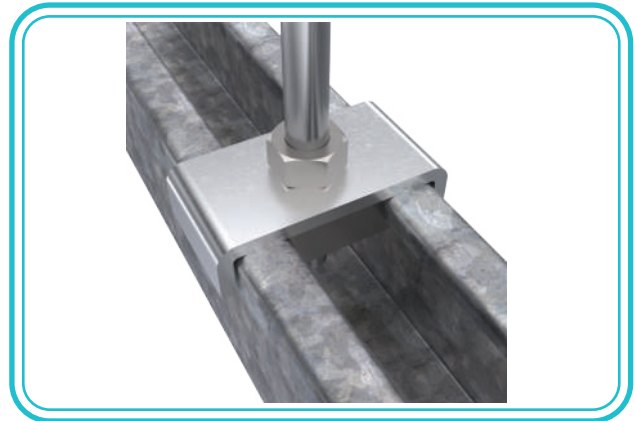
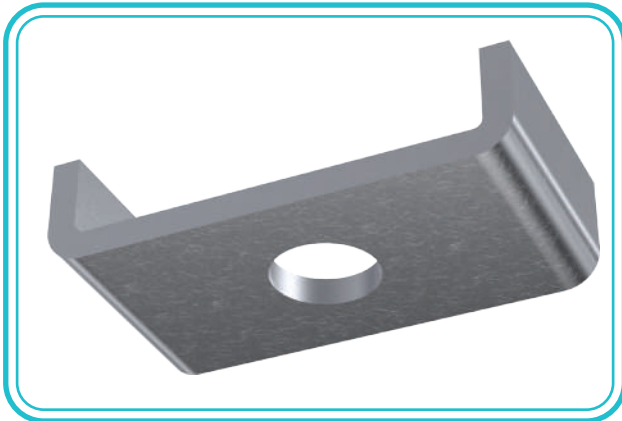
PSI 8



PSI 9



C WASHER



FEATURES AND BENEFITS

Description	<ul style="list-style-type: none"> • Wall plate with welded C - profile • Perfectly suitable for hanging to the ceiling • Slots at 90° to each other to simplify fixing strut rail • CO2 welded • A continuous graduated centimetre scale on one side • Suitable for in and outdoor applications. • Stands min 1000 hours salt spray test (max 5% red rust) according to ISO 9227
Material	<ul style="list-style-type: none"> • Steel ,other materials on request
Finish	<ul style="list-style-type: none"> • Electro galvanized as per ASTM B 633

Product Code	Channel Size	Slot Size mm	(S) mm	Length (L) mm	(H) mm	Max Load				Microns (μ)
						F1 (N)	F2 (N)	F3 (N)	F4 (N)	
PSI-CW-41/150	41 x 41	13 X 25	90	150	130	6100	3000	3000	2000	8 - 15
PSI-CW-41/300	41 x 41	13 X 25	90	300	130	3000	1500	1500	1000	8 - 15
PSI-CW-41/450	41 x 41	13 X 25	90	450	130	2000	1000	1000	650	8 - 15
PSI-CW-41/600	41 x 41	13 X 25	90	600	130	1500	750	750	500	8 - 15
PSI-CW-41/750	41 x 41	13 X 25	90	750	130	1250	600	600	400	8 - 15
PSI-CW-21/150	21 X 21	13 X 25	70	150	110	2000	1000	1000	650	8 - 15
PSI-CW-21/300	21 X 21	13 X 25	70	300	110	1000	500	500	330	8 - 15
PSI-CW-21/450	21 X 21	13 X 25	70	450	110	670	330	330	220	8 - 15

NOTE :

- CUSTOMIZED DIMENSIONS AVAILABLE ON REQUEST.

Quality Policy

"Excellence in Engineering"

Marketed & Represented by



Spectrum7 TRADING

Tel: +971 4 572 4787 | P. O. Box : 113403 | Dubai | UAE
sales.ae@spectrum7.net | export@spectrum7.net

www.spectrum7.net

EXCLUSIVE DISTRIBUTION CHANNEL

MANUFACTURING

UNITED ARAB EMIRATES

P.O. Box: 113403, Dubai

Tel : +971 4 5724787

opr.ae@powersolutionme.com

KINGDOM OF SAUDI ARABIA

P.O. Box: 245458, Riyadh

Tel : +966 11 2422511

sales.sa@powersolutionme.com

www.powersolutionme.com



Engineered to Excellence